



Open Side Pipe Vise

Introduction

The Forum Open-Side Pipe Vise is a rugged screw-type vise that will hold tubing, drillpipe, manifold fittings, valves - in fact, everything whether in the field, shop, or warehouse.

Size Range

No. 8:	2-3/8 in. to 8-5/8 in.	Product Family No. H54020
No. 15	2-3/8 in. to 15 in.	Product Family No. H54023

Benefits/Features

The Forum Open-Side Pipe Vise is easy to use. Equipment may be placed in it from any of three sides. The fourth side acts as a steadying and positioning guide. The counterbalanced handle can be rotated into position and quickly extended for extra leverage - and it is mounted efficiently at arm height, eliminating the fumbling commonly associated with the necessarily inaccessible handle of a chain vise.

The Forum Open-Side Pipe Vise is efficient because it covers a wide range of tubing, drill pipe, and casing sizes, plus those hard-to-hold items such as manifold fittings, valves, etc. One vise takes the place of the usual combination of vises generally required to cover a comparable range. It saves time and eliminates wasteful steps by concentrating operations at a single location. It saves space because it does the multiple jobs of many vises. It's ideal for tough oilfield and shop service.

The Forum Open-Side Pipe Vise is safe because its positive grip eliminates the usually hazardous task of balancing equipment - and there's no chance of a sudden, unexpected release due to an improperly placed or a broken link, because the sturdy screw holds the equipment in place.



Construction

The Forum Open-Side Pipe Vise is strong and rugged. Years of heavy usage in our shops and service points have proven its durability. The heavy, cast-steel body is virtually indestructible. The screw is made from one of the toughest steels available. If given ordinary care the Forum Open-Side Pipe Vise will last for years.

Mountings

Although a mounting for the Forum Open-Side Pipe Vise is easy to build and can readily be constructed in most shops, the Vise can be purchased with a tray and a swivel-type mounting in either of two designs:

1. Open-Side Pipe Vise Mounted on Swivel Base

This unit contains a Vise, Tray, and Swivel Mounting Post to be cemented in place.

No. 8: Product Family No. H54021

No. 15: Product Family No. H54024

2. Open-Side Pipe Vise Mounted on Bolt-Down-Type Swivel Base

This unit contains a Vise, Tray, and Swivel Mounting Post with welded base plate for securing to floor, etc., with bolts.

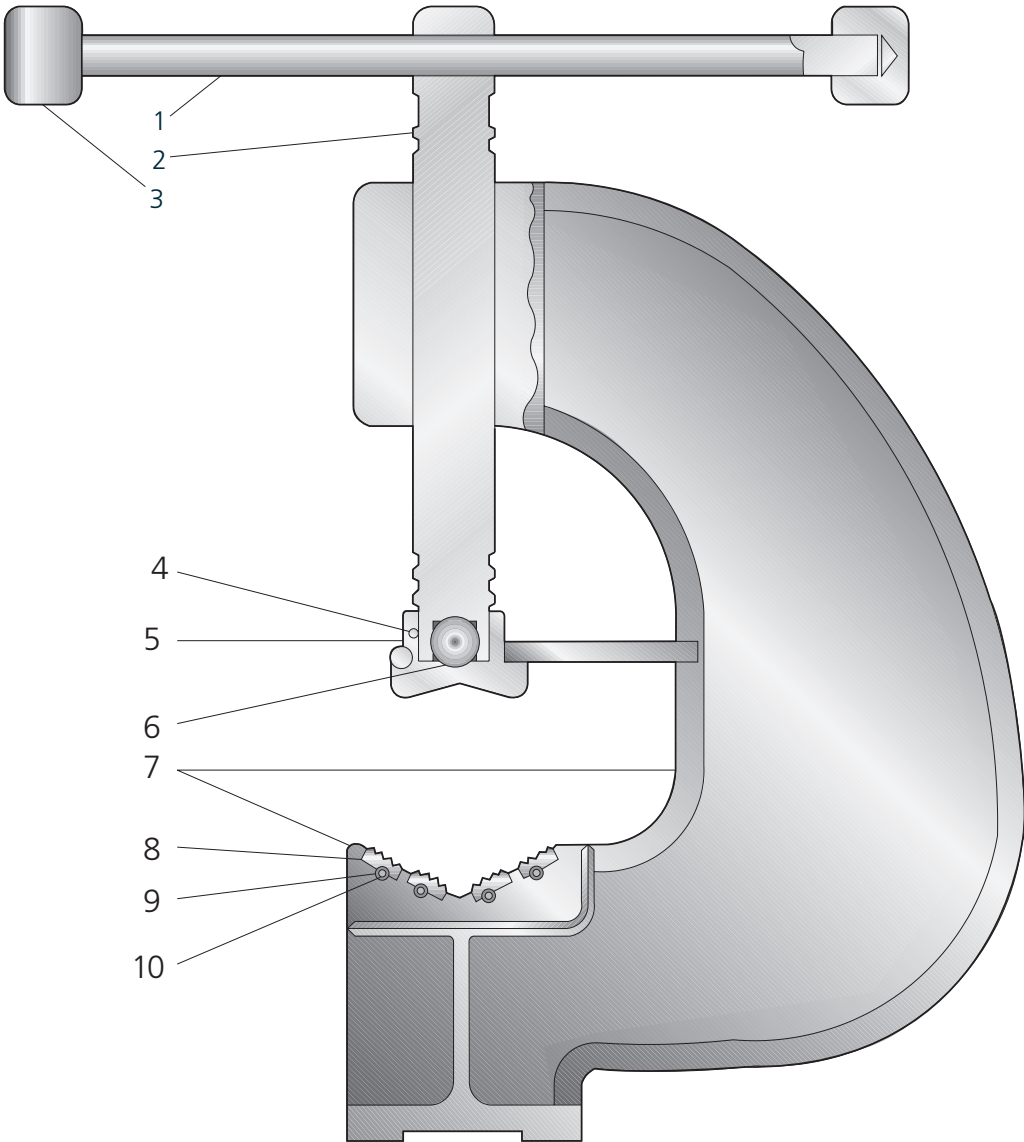
No. 8: Product Family No. H54022

No. 15: Product Family No. H54025

Parts Illustration

Open-Side Pipe Vise

Product Family Nos. H54020 thru H54025



Parts and Weights

Item No.	Description	No. Req'd	8 in.	15 in.
Assembly				
-	Open-Side Pipe Vise	-	540200000 (113 lb) 27-1/8 X 6-3/8 in.	540230000 (245 lb) 29 X 8-1/2 in.
-	Vise Mounted on Swivel Base	-	540210000 (291 lb)	540240000 (423 lb)
-	Vise on Bolt-Down Type Swivel Base	-	540220000 (401 lb)	540250000 (533 lb)
Spare Parts				
1	Handle	1	011836900 (3 lb)	070154000 (5 lb)
2	Screw	1	011837200 (11 lb)	070154300 (25 lb)
3	Knob	2	WWJA1S10Z (0.5 lb)	070154100 (0.5 lb)
4	Roll Pin	1	WWL 1182H0 (0.2 lb)	WWL1182H0 (0.2 lb)
5	Pad with Guide	1	014193100 (5 lb)	070154500 (5 lb)
6	Steel Ball (1 in. Dia)	1	WWT110000 (0.5 lb)	WWT110000 (0.5 lb)
7	Body and Tong Die Assembly	1	014193000 (93 lb)	014193000 (172 lb)
8	Tong Dies (3/8 x 1 x 3-7/8 in.) Web Wilson P/N 5041 or BJ P/N 6473	4	WWWX00003 (0.5 lb)	WWWX00003 (0.5 lb)
9	Washer (3/8 in.)	8	WWK11D000 (0.1 lb)	WWK11D000 (0.1 lb)
10	Hex Socket Head Cap Screws	8	WWG11D0H0 (0.1 lb)	WWG11D0H0 (0.1 lb)
Accessory Equipment				
-	Tool Tray/Outer Sleeve	1	018242900 (78 lb)	070155500 (78 lb)
-	Permanent Stand	1	018243000 (100lb)	018243000 (100lb)
-	Bolt-Down Stand	1	018243100 (210 lb)	018243100 (210 lb)
-	Hex Head Bolt (5/8-11 UNC x 2-1/2 lg) [4 required]	1	WWH11M2H0 (0.6 lb)	WWH11M2H0 (0.6 lb)
-	Hex Nut (5/8-11 UNC)	1	WWJA1M10Z (0.2 lb)	WWJA1M10Z (0.2 lb)
-	Regular Square Bolt (5/8-11 UNC x 7 lg)	1	WWH31M700 (0.9 lb)	WWH31M700 (0.9 lb)

Notes

Drilling Sales Headquarters

10344 Sam Houston Park Drive, Suite 300
Houston, TX 77064
USA
713.351.7900



Regional Offices

Unit 7, Murcar Industrial Estate
Denmore Road, Bridge of Don
Aberdeen AB23 8JW
UK
44.1224.707800

Oilfields Supply Center
Building B-45
Jebel Ali Free Zone
Dubai
UAE
971.4.883.5266

#106, 3903 - 75 Ave
Leduc, Alberta T9E 0K3
Canada
780.980.0345

No 51 Benoi Road #06-00
Singapore 629 908
Singapore
65.6465.4850

Our goal is to become the leading provider of mission critical oilfield products and related services in terms of customer satisfaction, safety and financial performance.

Our experienced management team and employees are dedicated to solving our customers' problems. We invest in long term relationships and cooperate on product development with our clients, we consider them our partners.

Our Core Values

No one gets hurt

The safety of our employees and customers is our first priority coupled with a healthy respect for the environment.

Integrity

In everything we do, in every interaction, both internally and externally, we strive to operate with the upmost integrity and mutual respect.

Customer focused

Our products enhance our customer's performance and we listen to their needs and work with them to solve their challenges.

Good place to work

We are committed to creating a workplace that fosters innovation, teamwork and pride. Every team member is integral to our success and is treated equally and fairly.



Forum Sales

10344 Sam Houston Park Drive
Suite 300
Houston, TX 77064

FET.Info@F-E-T.com

713-351-7900