



Standpipe Manifold Fittings

Introduction

The Forum Standpipe Manifold Fittings are available for both standard pressure and high pressure mud manifolds. There are six standard configurations which are prepped for standard butt weld connections. However other configurations and end connections are available on request.

Sizes

2", 3", 4", & 5" in selected configurations.

Connections and Configurations

- Schedule XXH Butt Weld
- Schedule 160 Butt Weld
- Line Pipe

Forum Manifold Fittings		
0	LONG SWEEP FULL FLOW CROSS	
1	LONG SWEEP FULL FLOW TEE	
2	LONG SWEEP TEE	*A/R
3	90° LONG SWEEP ELL	
4	90° LONG SWEEP ELL WITH 2" OUTLET	
5	45° LONG SWEEP ELL	
6	160° STANDPIPE GOOSENECK WITH TOP OUTLET	*A/R
7	160° STANDPIPE GOOSENECK	
8	180° STANDPIPE GOOSENECK	*A/R
9	LONG SWEEP Y	*A/R

*A/R - Available upon request

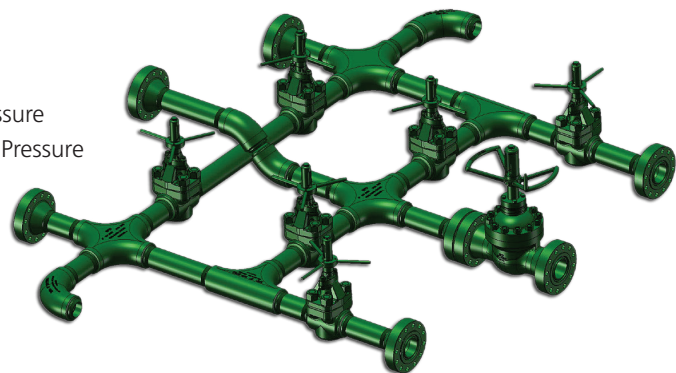
Material

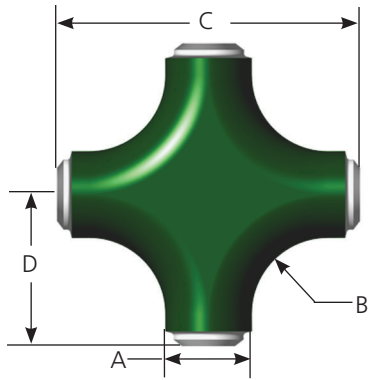
ASTM A487 Grade 4B 105 ksi Min. Tensile Strength, 85 ksi Min. Yield Strength

Pressure Rating

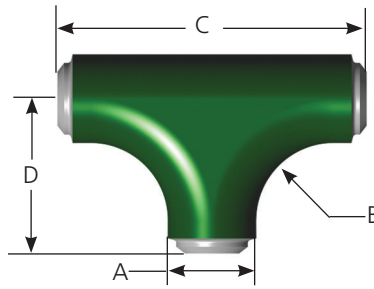
Standard – 5000 psi Working Pressure, 10,000 psi Test Pressure

High Pressure – 7500 psi Working Pressure 11,250 psi Test Pressure

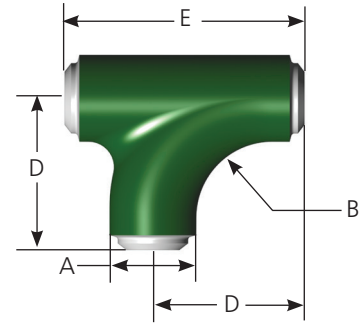




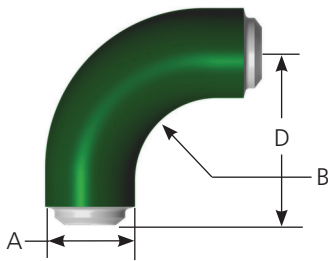
(0) Long Sweep Full Flow Cross



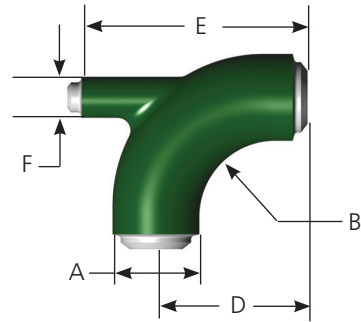
(1) Long Sweep Full Flow Tee



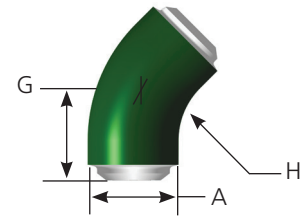
(2) Long Sweep Tee



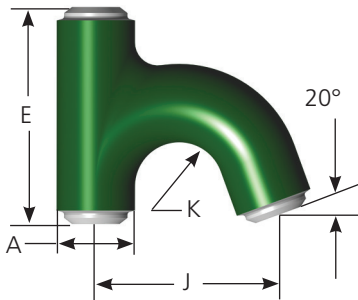
(3) 90° Long Sweep Ell



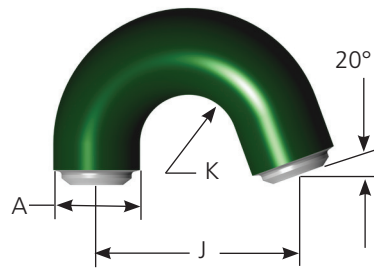
(4) 90° Long Sweep Ell w/2" Outlet



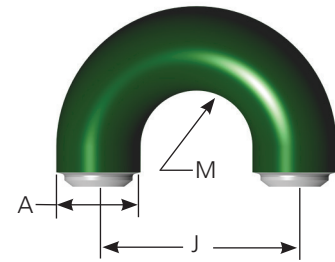
(5) 45° Long Sweep Ell



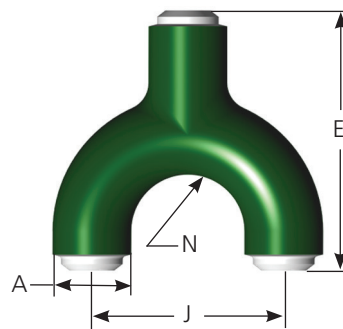
(6) 160° Standpipe Gooseneck w / Top Outlet



(7) 160° Standpipe Gooseneck



(8) 180° Standpipe Gooseneck



(9) Long Sweep Y

Nom Size	A	B	C	D	E	F	G	H	J	K	M	N
2"	3.75	4.25	16.00	8.00	-	-	2.50	3.25	-	-	-	-
3"	5.13	5.13	22.00	11.00	16.00	3.25	3.13	2.56	14.00	4.06	-	4.44
4"	5.75	5.50	22.00	11.00	16.00	3.25	6.38	2.63	14.00	3.75	4.00	4.13
5"	6.88	6.00	24.00	12.00	19.00	3.25	6.75	5.56	16.00	3.88	-	4.56

Our goal is to become the leading provider of mission critical oilfield products and related services in terms of customer satisfaction, safety and financial performance.

Our experienced management team and employees are dedicated to solving our customers' problems. We invest in long term relationships and cooperate on product development with our clients, we consider them our partners.

Our Core Values

No one gets hurt

The safety of our employees and customers is our first priority coupled with a healthy respect for the environment.

Integrity

In everything we do, in every interaction, both internally and externally, we strive to operate with the upmost integrity and mutual respect.

Customer focused

Our products enhance our customer's performance and we listen to their needs and work with them to solve their challenges.

Good place to work

We are committed to creating a workplace that fosters innovation, teamwork and pride. Every team member is integral to our success and is treated equally and fairly.



Forum Sales

10344 Sam Houston Park Drive
Suite 300
Houston, TX 77064

ForumDP.Sales@f-e-t.com

713-351-7900

DRL1104.01.2019