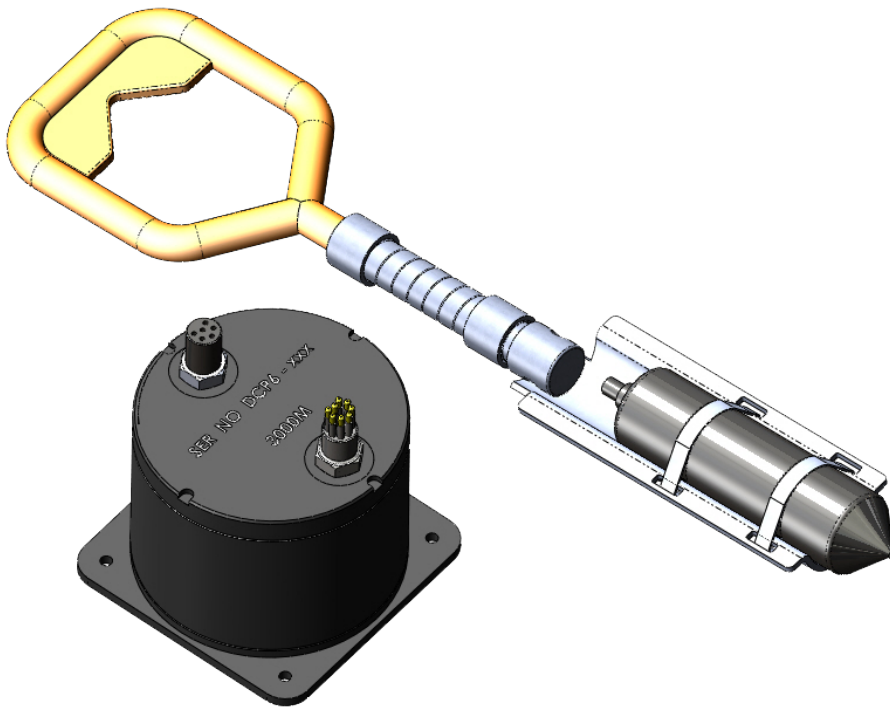


C.P Probe System

ROV Tools.



DESCRIPTION

The OceanTools DigiCP Cathodic Protection contact probe is a lightweight and versatile instrument that provides a means of carrying out underwater cathodic protection potential measurements. Specially designed for use with manned Or Remotely Operated Vehicles (ROVs), this kit comes complete a 3 metre cable to connect to A/D Converter & a 3m ROV cable . Each probe is supplied with a Certificate of Inspection and Conformity.

This product is extensively used in a wide range of applications including production and drilling platforms, ships' hulls, jetties and other marine works.

FEATURES

- Hard wearing DELRIN body
- Stainless steel probe tip
- Lightweight design / easy to use
- ISO ROV Manipulator Handle
- A/D Subsea Bottle for RS232 output
- Supplied with Windows based Top Level operating software
- Supplied in offshore suitable transit case.

C.P Probe System

ROV Tools.

SPECIFICATIONS

Half cell Type	Silver / Silver Chloride screw-in
Accuracy	+/- 5mV (when used in sea water)
Nominal Power	24Vdc @410mA
Operating temperature	minus 5°C - 40°C
Min. load impedance	>10M Ohms
Tip Material	Stainless steel (316)
Probe Weight	0.26kg
Size	126mm x 39mm diameter
Underwater cable	3m long to A/D bottle
Operating depth	3000M

PART NUMBERS & OPTIONS

A036-064-001/01	C.P Probe System
A036-064-001/02	C.P Probe System (DOF Specific)

WHAT'S IN THE BOX

- OceanTools DigiCP Probe
- A/D Converter
- Probe to bottle cable
- Bottle to ROV cable
- Operations & Maintenance Manual.

