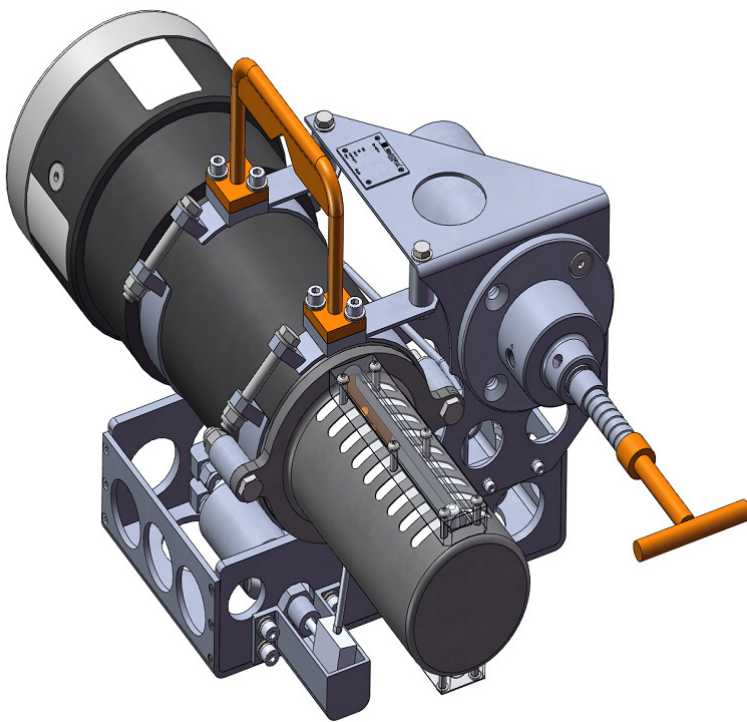


LAOT 5"

ROV Tools.



DESCRIPTION

FORUM has developed a tool to actuate and lock open linear valve interfaces. The tool is designed to suit the ISO 13628-8 Type A interface. The tool supplied is usually used in conjunction with a locking head. The actuator contains a hydraulically operated piston powered by an intensifier. The actuator is supplied with hot stab and check valves. The locking head is a purely mechanical device and is left behind on a subsea interface when the valve is required to be let overridden. The tool is manipulator operated. The advantage of the mechanical lock is that it will hold its position indefinitely as opposed to hydraulic systems that creep over time.

FEATURES

- ISO 13628-8 Dec 02 Figure 15 Type A
- Rated to 75 Tonne Force
- 5" Stroke
- Dual Port Hot stab interface
- Built in intensifier
- External stroke indicator
- Supplied in offshore suitable transit case.

LAOT 5"

ROV Tools.

SPECIFICATIONS

Working pressure	690 Bar (10,000 psi)
Fluid	Most hydraulic fluids and gases.
Weight in air	65kg (including male stab)
Materials:	17-4 PH Body Acetal Guide nose
Handle	T-Bar

WHAT'S IN THE BOX

LAOT 5"
Operations & Maintenance Manual.

PART NUMBERS & OPTIONS

A036-049-701	2" Lock Open Tool
A036-049-501	5" Lock Open Tool
A036-049-950	Lock Open Tool Actuator