

High-Performance Rod System



The Forum Energy Technologies high-performance (HP) rod system—part of the P-Quip® fluid end mud pump solution—is designed to eliminate problems associated with traditional clamp systems. A quick connection between the pony rod and piston rod, utilizing powerful spring forces, virtually eliminates pony-to-piston rod misalignment and wear.

Dismantling and re-assembly of the complete rod system takes under five minutes, which reduces downtime and HSE issues associated with maintenance. There are no flanged joints on the rods to chip, wear or break; hence, rod life is enhanced. Because the rod is self-aligned, the life of the piston and liner is significantly improved along with drilling performance.

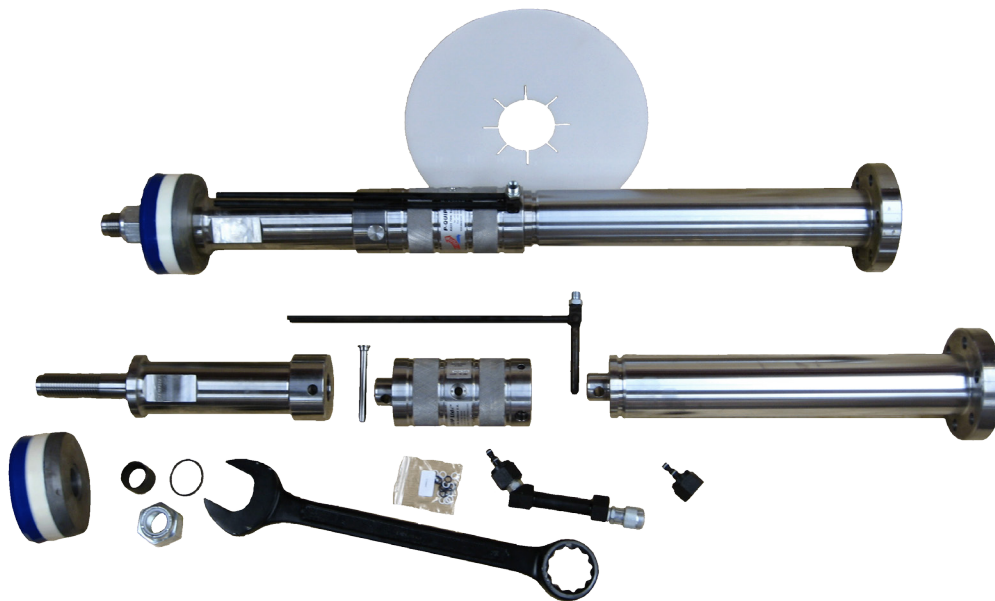
High-Performance Rod System

BENEFITS:

- Reduced downtime, piston can be changed in five minutes
- Lowered HSE risks and costs, due to lost time incidents such as pinched fingers, etc.
- Improved drilling efficiency and piston/liner life since traditional rod clamp failures are eliminated

FEATURES:

- Integral liner flushing systems
- No more heavy clamps or connecting threads and studs
- Automatically controlled clamping force – no more broken rod ends
- Versions available for most pumps from 1,000 to 2,200 HP
- Standard versions also available



FORUM DRILLING TECHNOLOGIES

10344 Sam Houston Park Drive, Suite 300 / 1.844.525.3500 [t]
f-e-t.com/pquip / ForumDP.Sales@f-e-t.com