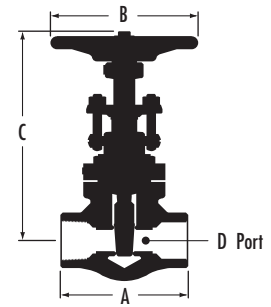


# Gate Valves

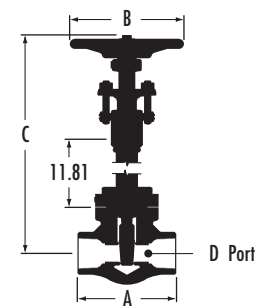
## Class 800 • Standard and Full Port – Bolted Bonnet – OS&Y Threaded and Socketweld Ends

Dimensions	Thrd	Thrd x SWE	SWE	Size (in.)							
				1/2	3/4	1	1 1/4	1 1/2	2	—	
Standard Port	4121	4101	4111	—	1/2	3/4	1	1 1/4	1 1/2	2	—
Full Port	4171	—	4161	1/4	3/8	1/2	3/4	1	1 1/4	1 1/2	2
End to End	A			3.19	3.19	3.46	4.33	5.04	5.04	5.51	5.94
Handwheel	B			3.62	3.62	3.62	4.02	5.12	5.91	5.91	6.89
Center to Top	C (Closed)			5.24	5.59	5.79	6.69	7.76	8.46	9.37	10.98
Port Diameter	D			.28	.37	.50	.71	.94	1.20	1.44	1.80
Weight	Lbs.			4.19	4.19	5.73	7.94	10.58	16.53	23.59	35.27



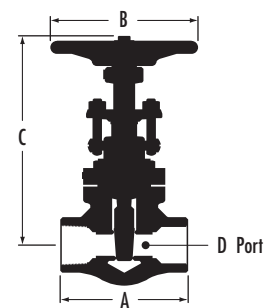
## Class 800 • Standard Port – Bolted & Welded Cryogenic Extended Bonnet – Threaded Ends – Min. Temp. -325° F

Dimensions	Thrd	Size (in.)								
		3/8	1/2	3/4	1	1 1/4	1 1/2	2		
Standard Port	4121 Cryogenic	3/8	1/2	3/4	1	1 1/4	1 1/2	2		
End to End	A	3.19	3.19	3.46	4.33	5.04	5.04	5.04		
Handwheel	B	3.62	3.62	3.62	4.02	5.12	5.91	6.89		
Center to Top	C (Closed)	17.64	17.64	17.64	18.39	19.29	20.20	20.95		
Port Diameter	D	.28	.37	.50	.71	.94	1.20	1.44		
Weight	Lbs.	6.39	6.39	7.94	10.14	13.67	19.84	26.90		



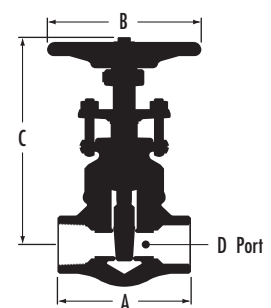
## Class 1500 • Standard and Full Port – Bolted Bonnet – OS&Y Threaded and Socketweld Ends

Dimensions	Thrd	Thrd x SWE	SWE	Size (in.)							
				3/8	1/2	3/4	1	1 1/4	1 1/2	2	
Standard Port	6121	6101	6111	3/8	1/2	3/4	1	1 1/4	1 1/2	2	
Full Port	6171	—	6161	1/4	3/8	1/2	3/4	1	1 1/4	1 1/2	
End to End	A			3.19	3.46	4.33	5.04	5.04	5.51	5.94	
Handwheel	B			3.62	3.62	4.02	5.12	5.91	5.91	6.89	
Center to Top	C (Closed)			5.59	5.79	6.69	7.76	8.46	9.37	10.98	
Port Diameter	D			.28	.37	.50	.71	.94	1.20	1.44	
Weight	Lbs.			4.19	5.73	7.94	10.58	16.53	23.59	35.27	



## Class 800 • Standard Port – Welded Bonnet – OS&Y Threaded and Socketweld Ends

Dimensions	Thrd	Thrd x SWE	SWE	Size (in.)							
				3/8	1/2	3/4	1	1 1/4	1 1/2	2	
Standard Port	4123	4103	4113	3/8	1/2	3/4	1	1 1/4	1 1/2	2	
End to End	A			3.19	3.19	3.46	4.33	5.04	5.04	5.51	
Handwheel	B			3.62	3.62	3.62	4.02	5.12	5.91	5.91	
Center to Top	C (Closed)			5.24	5.59	5.79	6.69	7.76	8.46	9.37	
Port Diameter	D			.28	.37	.50	.71	.94	1.20	1.44	
Weight	Lbs.			3.97	3.97	4.85	6.61	9.26	14.33	20.28	

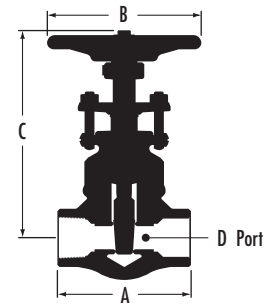




## Gate Valves

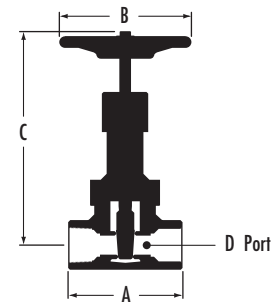
### Class 1500 • Standard Port – Welded Bonnet – OS&Y Threaded and Socketweld Ends

Dimensions	Thrd	Thrd x SWE	SWE	Size (in.)						
				$\frac{3}{8}$	$\frac{1}{2}$	$\frac{3}{4}$	1	$1\frac{1}{4}$	$1\frac{1}{2}$	2
Standard Port	6123	6103	6113							
End to End		A		3.19	3.46	4.33	5.04	5.04	5.51	5.94
Handwheel		B		3.62	3.62	4.02	5.12	5.12	5.91	6.89
Center to Top		C (Closed)		5.59	5.79	6.69	7.76	8.07	9.37	10.98
Port Diameter		D		.28	.37	.50	.71	.94	1.20	1.44
Weight		Lbs.		4.19	5.73	7.94	10.58	16.53	23.59	35.27



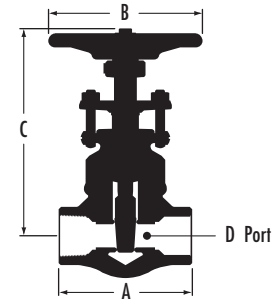
### Class 800 • Standard Port – Union Bonnet – IS – Threaded and Socketweld Ends

Dimensions	Thrd	SWE	Size (in.)						
			$\frac{3}{8}$	$\frac{1}{2}$	$\frac{3}{4}$	1	$1\frac{1}{4}$	$1\frac{1}{2}$	2
Standard Port	4125	4115							
End to End		A	2.76	2.76	3.39	3.98	—	4.72	5.24
Handwheel		B	3.62	3.62	3.62	4.02	—	5.12	5.91
Center to Top		C (Closed)	5.91	5.91	5.91	7.48	—	9.45	10.63
Port Diameter		D	.37	.50	.50	.75	—	1.25	1.50
Weight		Lbs.	3.09	3.09	3.75	6.61	—	9.26	17.20



### Class 2500 • Full Port – Welded Bonnet – OS&Y Threaded and Socketweld Ends

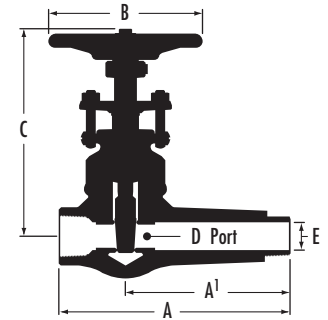
Dimensions	Thrd	SWE	Size (in.)						
			$\frac{3}{8}$	$\frac{1}{2}$	$\frac{3}{4}$	1	$1\frac{1}{4}$	$1\frac{1}{2}$	2
Full Port	7173	7163							
End to End		A	3.46	5.04	5.04	5.04	8.27	8.27	9.45
Handwheel		B	4.02	5.91	5.91	5.91	6.89	6.89	7.48
Center to Top		C (Closed)	5.79	8.46	8.46	9.37	10.98	10.98	13.70
Port Diameter		D	.37	.50	.71	.94	1.20	1.44	1.80
Weight		Lbs.	6.61	9.26	9.26	20.28	30.42	30.42	55.12



# Gate Valves

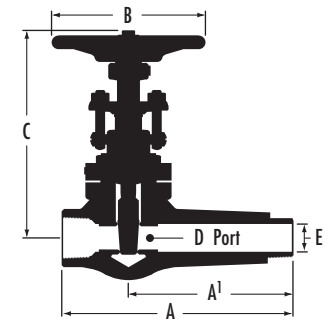
## Class 800/1500 • Standard Port – Take Off – Welded Bonnet – Female Thread x Male Thread Ends

Dimensions	F. Thrd x M. Thrd		Size (in.)							
	4143	4153	1/2	3/4	1	1 1/2				
Standard Port										
End to End	A		6.00	6.00	6.00	6.00	7.5	7.5	8.5	—
Center to End	A <sup>1</sup>		4.41	4.41	4.27	4.27	5.41	5.41	5.45	—
Handwheel	B		3.62	3.62	3.62	3.62	4.02	4.02	5.91	—
Center to Top	C (Closed)		5.59	5.59	5.79	5.79	6.69	6.69	8.46	—
Port Diameter	D		.37	.37	.50	.50	.71	.71	1.20	—
Insert O.D.	E		.52	.52	.65	.65	.89	.89	1.42	—
Weight	Lbs.		4.63	4.63	5.95	5.95	8.82	8.82	16.53	—



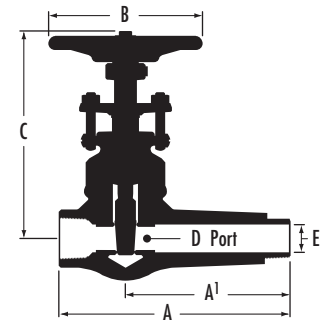
## Class 800 • Standard Port – Take Off – Bolted Bonnet – Female Thread x Male Socketweld Ends

Dimensions	F. Thrd x M. SWE		Size (in.)								
	4151	4191	1/2	3/4	1	1 1/2	2				
Standard Port											
End to End	A		6.00	7.56	6.00	8.23	7.50	9.23	8.50	9.98	10.35
Center to End	A <sup>1</sup>		4.41	6.18	4.27	6.42	5.41	7.05	5.45	7.48	7.60
Handwheel	B		3.62	3.62	3.62	3.62	4.02	4.02	5.91	5.91	6.89
Center to Top	C (Closed)		5.59	5.47	5.79	5.63	6.69	6.42	8.46	8.39	9.29
Port Diameter	D		.37	.37	.50	.50	.71	.71	1.20	1.20	1.44
Insert O.D.	E		.52	.69	.65	.87	.89	1.12	1.42	1.62	1.81
Weight	Lbs.		4.63	5.07	5.95	7.05	8.82	11.02	16.53	19.84	28.66



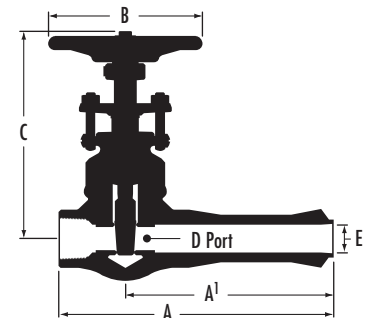
## Class 800/1500 • Standard Port – Take Off – Welded Bonnet – Female Thread x Male Couplet

Dimensions	F. Thrd x M. Cplt	Size (in.)		
	4153CT	1/2	3/4	1
Standard Port				
End to End	A	5.29	6.07	6.76
Center to End	A <sup>1</sup>	4.38	4.38	4.76
Handwheel	B	3.62	3.62	4.02
Center to Top	C (Closed)	5.59	5.79	6.69
Port Diameter	D	.37	.50	.71
Insert O.D.	E	.52	.65	.89
Weight	Lbs.	4.63	5.95	8.16



## Class 800/1500 • Standard Port – Take Off – Welded Bonnet – Female Thread x Integrally Reinforced Ends

Dimensions	F. Thrd x IREB		Size (in.)								
	4193	6193	1/2	3/4	1	1 1/2	2				
Standard Port											
End to End	A		7.56	8.23	8.23	9.23	9.23	9.98	9.98	10.35	10.35
Center to End	A <sup>1</sup>		6.18	6.42	6.42	7.05	7.05	7.48	7.48	7.60	7.60
Handwheel	B		3.62	3.62	3.62	4.02	4.02	5.91	5.91	6.89	6.89
Center to Top	C (Closed)		5.47	5.63	5.63	6.42	6.42	8.39	8.39	9.29	9.29
Port Diameter	D		.37	.37	.50	.50	.71	.71	1.20	1.20	1.44
Insert O.D.	E		.69	.69	.87	.87	1.12	1.12	1.62	1.62	1.81
Weight	Lbs.		5.07	7.05	7.05	11.02	11.02	19.84	19.84	28.66	28.66

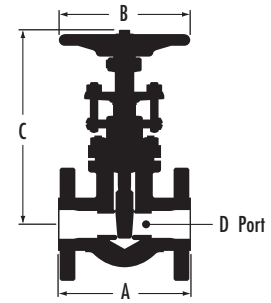




## Gate Valves

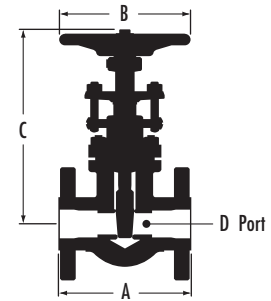
### Class 150 • Standard Port – Bolted Bonnet – Flanged Ends

Dimensions	Flanged End	Size (in.)					
		1/2	3/4	1	1 1/2	2	3
Standard Port	1131	1/2	3/4	1	1 1/2	2	3
Face to Face	A	4.25	4.61	5.00	6.50	7.01	7.99
Handwheel	B	3.62	3.62	4.02	5.91	6.89	7.48
Center to Top	C (Closed)	6.46	6.97	7.24	8.70	9.33	11.81
Port Diameter	D	.37	.50	.71	1.20	1.44	2.00
Weight	Lbs.	6.61	10.58	13.23	22.05	35.27	55.12



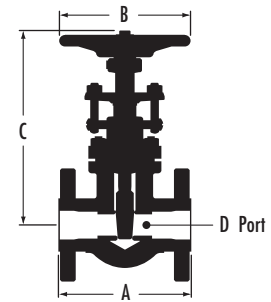
### Class 300 • Standard Port – Bolted Bonnet – Flanged Ends

Dimensions	Flanged End	Size (in.)				
		1/2	3/4	1	1 1/2	2
Standard Port	2131	1/2	3/4	1	1 1/2	2
Face to Face	A	5.51	5.98	6.50	7.48	8.50
Handwheel	B	3.62	3.62	4.02	5.91	6.89
Center to Top	C (Closed)	7.09	6.97	7.24	8.70	9.33
Port Diameter	D	.37	.50	.71	1.20	1.44
Weight	Lbs.	8.81	13.23	17.64	37.48	48.50



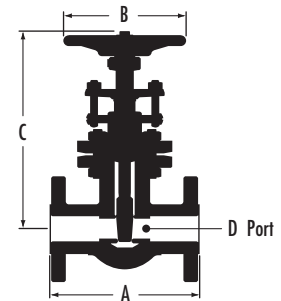
### Class 600 • Standard Port – Bolted Bonnet – Flanged Ends

Dimensions	Flanged End	Size (in.)				
		1/2	3/4	1	1 1/2	2
Standard Port	3131	1/2	3/4	1	1 1/2	2
Face to Face	A	6.50	7.48	8.50	9.49	11.54
Handwheel	B	3.62	3.62	4.02	5.91	6.89
Center to Top	C (Closed)	6.46	6.97	7.24	8.70	9.33
Port Diameter	D	.37	.50	.71	1.20	1.44
Weight	Lbs.	10.14	13.89	18.52	38.36	50.71



### Class 1500 • Full Port – RTJ – Bolted Bonnet – Flanged Ends

Dimensions	Flanged End	Size (in.)				
		1/2	3/4	1	1 1/2	2
Full Port	6187	1/2	3/4	1	1 1/2	2
Face to Face	A	8.50	9.02	10.00	12.01	14.49
Handwheel	B	5.12	5.91	5.91	6.89	6.89
Center to Top	C (Closed)	10.63	11.81	12.28	13.27	13.66
Port Diameter	D	.50	.71	.94	1.44	1.80
Weight	Lbs.	22.05	35.27	44.09	83.77	119.05



### Class 2500 • Full Port – RTJ – Bolted Bonnet – Flanged Ends

Dimensions	Flanged End	Size (in.)				
		1/2	3/4	1	1 1/2	2
Full Port	7187	1/2	3/4	1	1 1/2	2
Face to Face	A	10.39	10.75	12.13	15.12	17.76
Handwheel	B	5.91	5.91	6.89	7.48	7.48
Center to Top	C (Closed)	12.28	12.28	13.27	13.66	15.75
Port Diameter	D	.50	.71	.94	1.44	1.80
Weight	Lbs.	44.09	44.09	83.77	119.05	165.35

