



“SR” Option

Stainless Spring Return Handle

FEATURES

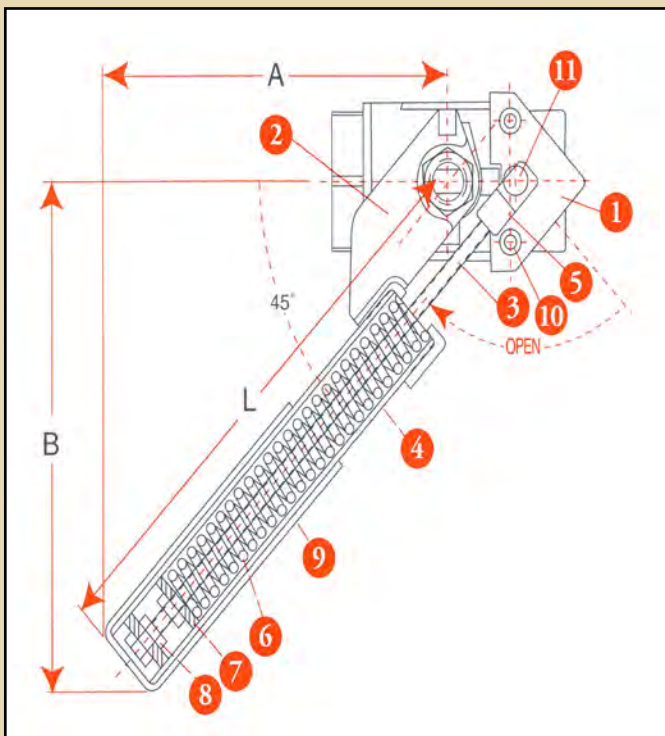
- Full Stainless Construction
- Available on S1, S2, and SB Series.
- Can Be Mounted to 1/4" through 1" size valves
- Positive Spring Return to Closed Position
- “Dead-Man” Operation

MATERIALS OF CONSTRUCTION

PART	DESCRIPTION	STANDARD MATERIAL
1	Mounting Plate	ASTM A251 GR. CF8M
2	Support	ASTM A251 GR. CF8M
3	Stem	ASTM A276 GR. 316 SS
4	Tube	ASTM A276 GR. 316 SS
5	Connector	ASTM A276 GR. 316 SS
6	Spring	300 Series Stainless Steel
7	Washer (2)	ASTM A276 GR. 316 SS
8	Lock Nut (3)	ASTM A276 GR. 316 SS
9	Handle Grip	Orange Vinyl
10	Socket Head Cap Screws	304SS
11	Hex Pivot Bolt	ASTM A276 GR. 316 SS

DIMENSIONS & WEIGHTS

SIZE	A	B	L	WEIGHT LBS
1/4" to 1/2"	4.9	5.8	7.1	.8
3/4" to 1"	4.9	6	7.3	1.2



Numbering System ... How to Order

SIZE	SERIES	WORKING PRESSURE	FIGURE NUMBER WITH "SR" HANDLE OPTION
1/4"	S1-SS	1000 PSIG	S1FSSRR SR TT025
3/8"	S1-SS	1000 PSIG	S1FSSRR SR TT038
1/2"	S1-SS	1000 PSIG	S1FSSRR SR TT050
3/4"	S1-SS	1000 PSIG	S1FSSRR SR TT075
1/4"	S2-SS	2000 PSIG	S2FSSRR SR TT025
3/8"	S2-SS	2000 PSIG	S2FSSRR SR TT038
1/2"	S2-SS	2000 PSIG	S2FSSRR SR TT050
3/4"	S2-SS	2000 PSIG	S2R SSRRSR TT075
1"	S2-SS	2000 PSIG	S2R SSRRSR TT100
1/4"	SB-SS	2160 PSIG	SBFSSRG SR TT025
3/8"	SB-SS	2160 PSIG	SBFSSRG SR TT038
1/2"	SB-SS	2160 PSIG	SBRSSRG SR TT050
3/4"	SB-SS	2160 PSIG	SBRSSRG SR TT075
1"	SB-SS	2160 PSIG	SBRSSRG SR TT100