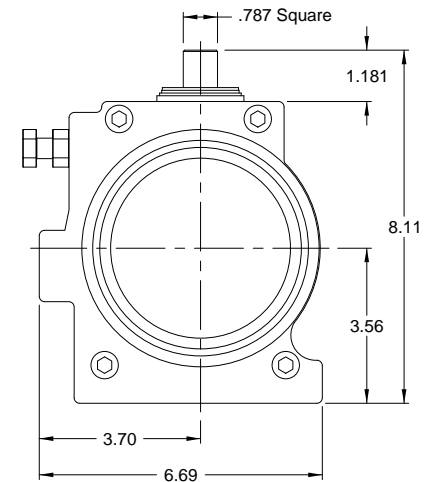
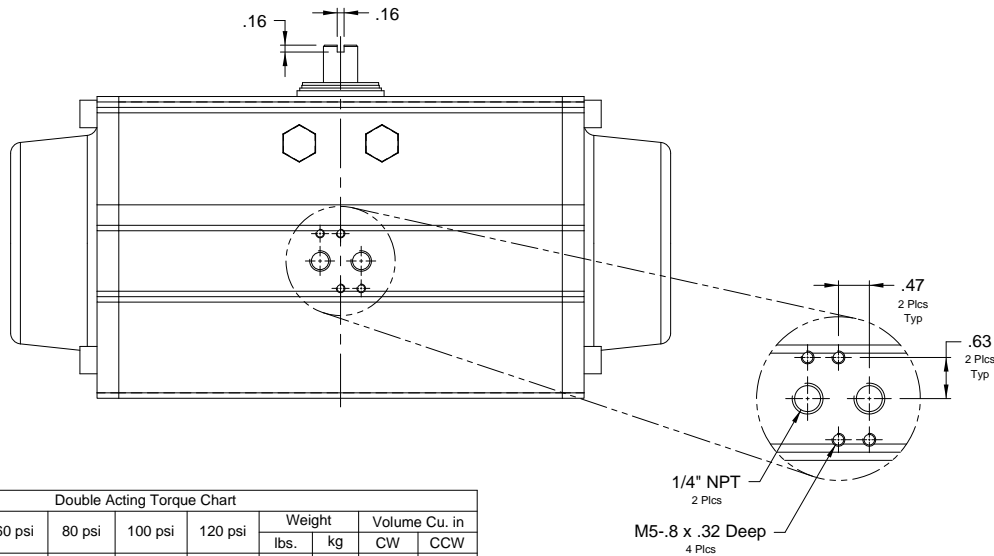


Actuator Mounting



Model	40 psi	60 psi	80 psi	100 psi	120 psi	Weight		Volume Cu. in		
	Start	End	Start	End	Start	End	lbs.	kg	CW	CCW
ABZ 500DA	1749	2624	3498	4373	5247		32.0	14.5	183.0	134.0

Air Consumption (scf per 90 Deg.) = (Volume/1728) x (Supply Pressure + 14.7)/14.7

Model	Spring Set	Spring Torque inch lbs.		40 psi		60 psi		80 psi		100 psi		120 psi		Weight		Volume Cu. in	
		Start	End	Start	End	Start	End	Start	End	Start	End	Start	End	lbs.	kg	Spring	Air
ABZ 500SR	2/2	920	530	1499	1109	2519	2129	-	-	-	-	-	-	38.0	17.2	183.0	137.0
	3/3	1380	795	1235	650	2254	1669	3264	2679	-	-	-	-				
	4/4	1840	1060	-	-	1989	1209	2999	2219	4010	3231	-	-				
	5/5	2300	1325	-	-	1725	750	2734	1759	3744	2769	-	-				
	6/6	2760	1590	-	-	-	-	2469	1299	3479	2309	-	-				

Air Consumption (scf per 90 Deg.) = (Volume/1728) x (Supply Pressure + 14.7)/14.7

Notes:

1. Minimum clearance required for mounting brackets (top and bottom).

FORUM ENERGY TECHNOLOGIES		Valve Solutions ABZ Valves & Controls		
Title: Pneumatic Actuator				Unit: inch
Series 228 - ABZ 500 - Rack & Pinion				Projection: 1st
DWG No. ABZ 500				Template: RO
Date: 04-19-16	Drawn: BC	Checked: TH	Dimensions are subject to change without notice.	Revision: 0