

Model V Series Positioner

Pneumatic and Electro-Pneumatic

True Modularity

Total Field
Upgradeability

Corrosion-Resistant
Molded Housing

Encapsulated
Electronics

Hazardous Locations
Model Available

Precise Click-Lock™
Calibration

Universal Mounting



Valve Related Controls



PERFORMANCE

Parameter	Specification
Resolution	0.25% Maximum 0.10% Typical
Repeatability	99.75% Minimum 99.90% Typical
Hysteresis	0.50% Maximum 0.25% Typical
Linearity	1.0% Maximum
Gain @80 PSIG	250 Single Acting 500 Double Acting
Air Consumption @80 PSIG	0.25 SCFM. Standard Flow Spool Valve 0.45 SCFM. Maximum Flow Spool Valve
Temp. Range	-40 to 150F/-40 to 65C

CONSTRUCTION

Part	Materials
Enclosure	PPA Composite, 300 Stainless Port Rings, Cover and Mounting Bolts
Indicator Lens	LEXAN™
Internals	PPA, PPS and PEEK Composites 300 Series Stainless Steel Nickel Plated Brass
Spool Valve	Carpenter 70 Grade Stainless Steel
I/P Converter (VK02) VE Model	PPA Composite, TEFLON™ Coated Carbon Steel, Nickel Plated Carbon Steel, High Density Polyethylene DELRIN™
Signal Diaphragm/O-Rings	BUNA N

For the VRC representative in your area, contact:

Valve Related Controls 
 143 Commerce Blvd.
 Loveland, Ohio 45140
 Phone 513-677-8724
 Fax 513-677-8731
 www.vrc-usa.com

HAZARDOUS LOCATIONS INFORMATION

I/P Converter Type 22/06-65 (Model VI)

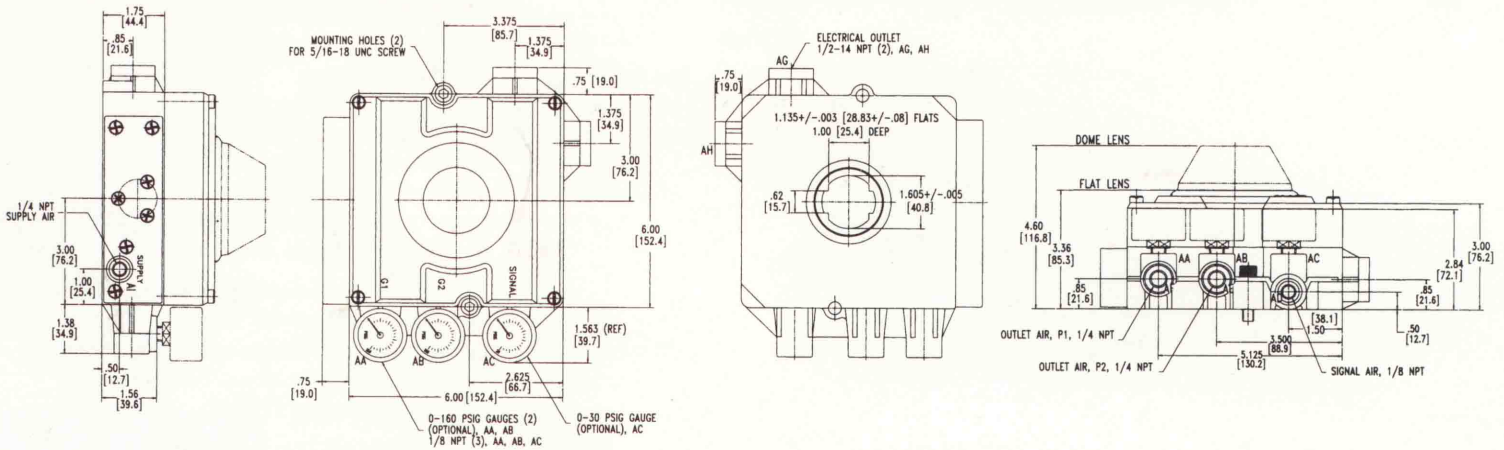
Factory Mutual Approved:
 Intrinsically Safe, Class I, Division 1, GRP. A, B, C, D
 Non-Incentive, Class I, Division 2, GRP. A, B, C, D

CSA Approved:
 Intrinsically Safe, Class I, Division 1 and 2, GRP. A, B, C, D

CENELEC Approved EEx ia IIC T6

For Applications In Hazardous Locations Reference Control Documents No. 900842/900843 Available By Contacting VRC.

DIMENSIONAL DIAGRAMS



ORDERING SPECIFICATIONS

Required Selections					Optional Selections							
MODEL TYPE	POSITION INDICATOR	CHARACTERIZING CAM	SPOOL VALVE	PORT GAUGES	POSITION TRANSMITTER	LIMIT SWITCH						
VP Pneumatic 3-15 PSI	Flat 90°	7	Linear	0	Standard	0	Brass	G	4-20 MA	T1	Mechanical	S1
	Flat 180°	8	Square Root	1	Maximum	1	Stainless	Z	1 Kohm	T2	(2) SPDT	
VE Electro-Pneumatic 4-20 MA	Dome 90°	9	Square	2	Extreme Service Standard Flow	2					Proximity	S2
			0-60°	3	Extreme Service Maximum Flow	3					(2) SPST	
			Equal Percent	4								
VI Electro-Pneumatic General Purpose & Hazardous Locations			Custom	5								
			Tangent	6								
			0-45°	7								

Order Example

A Model VE900-G-T1-S2 is a (Model VE) Electro-pneumatic Positioner with a (9) DOME style, 2-quadrant Position Indicator; (0) LINEAR Cam; and (0) Standard Flow Spool Valve. Optional fields specify (G) BRASS Gauges; (T1) 4-20 MA Position Transmitter; and (S2) (2) SPST PROXIMITY Limit Switches.