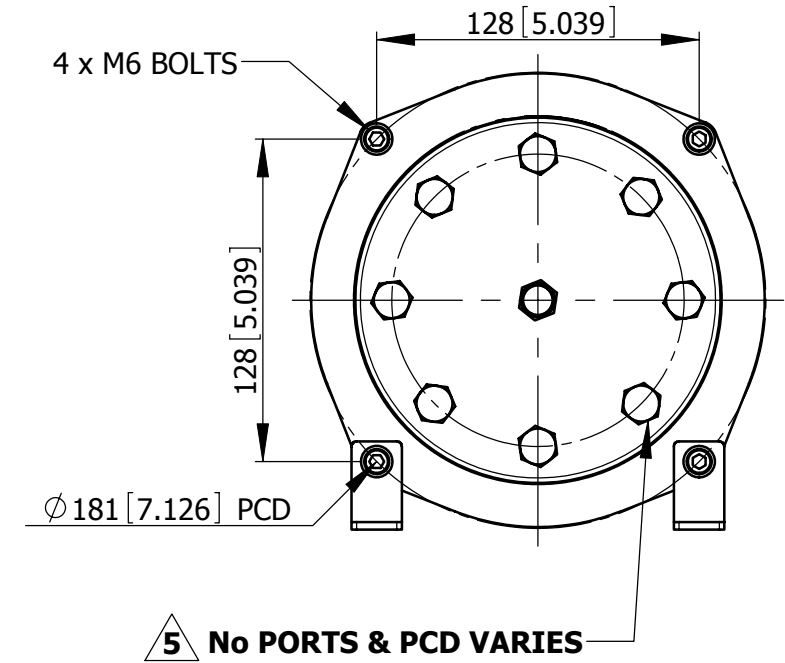
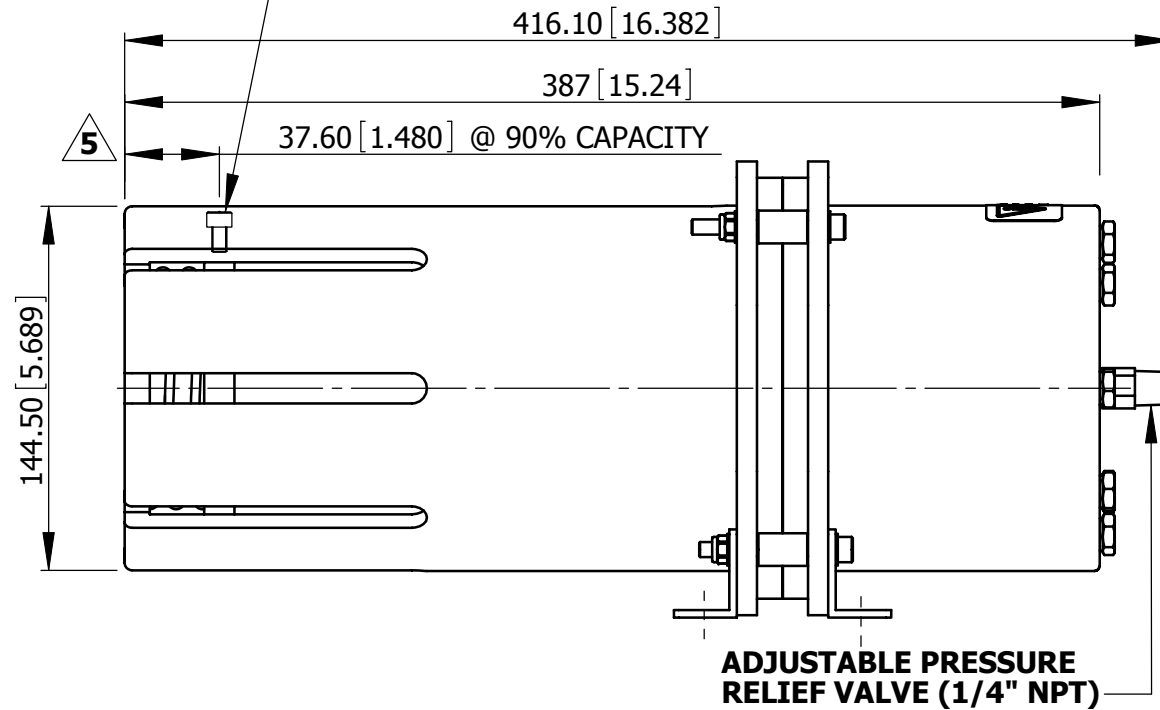
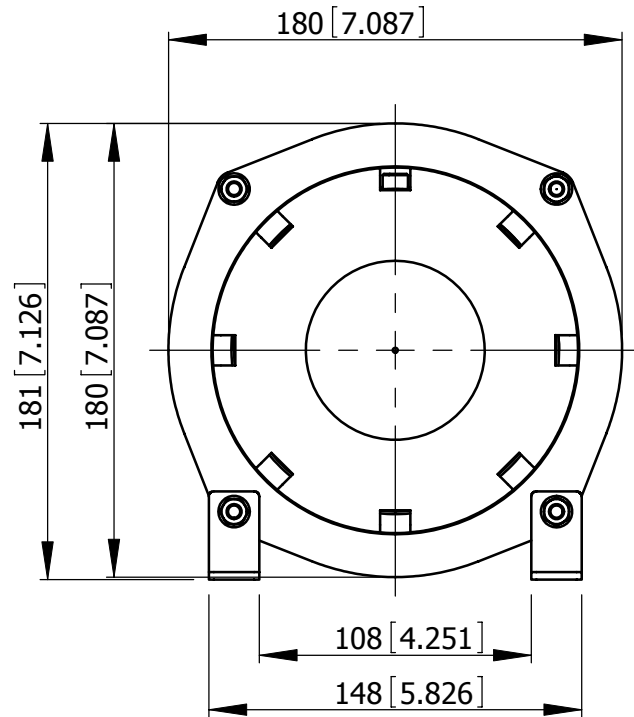


IF IN DOUBT - ASK!

REMOVE SHARP EDGES

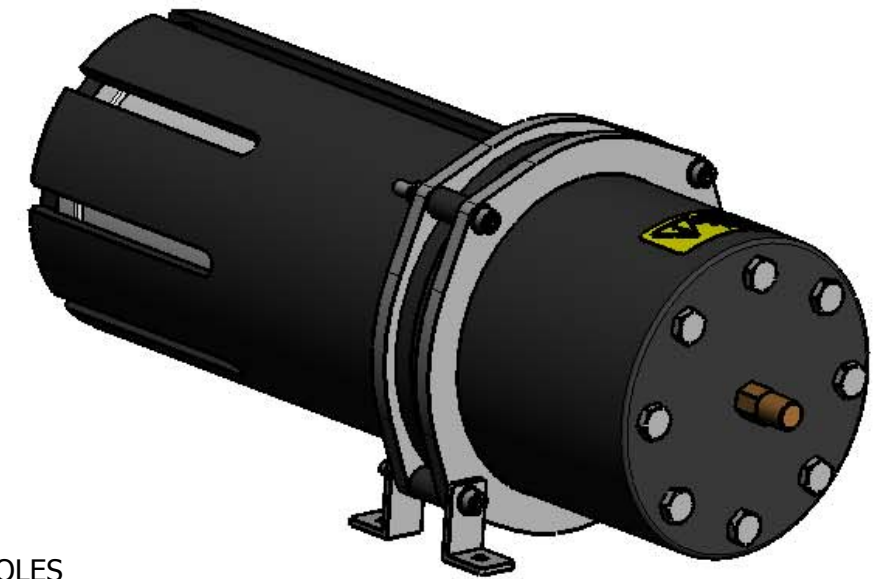
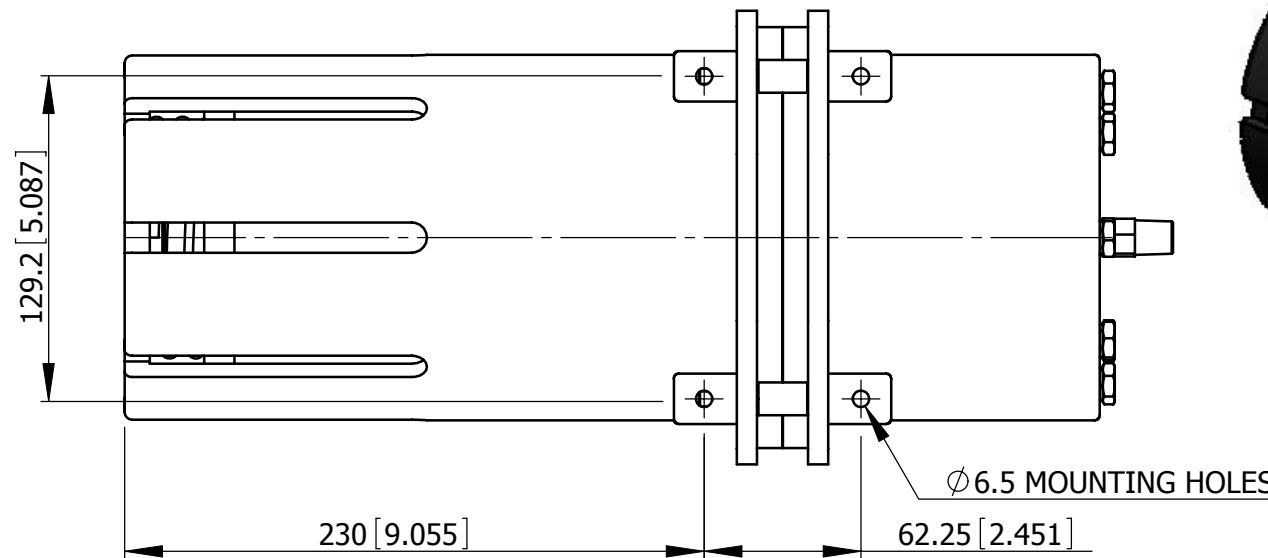
STAINLESS STEEL POSITION INDICATOR SCREW ATTACHED TO PISTON CAN BE USED FOR OPERATION OF PROXIMITY SWITCH, LVDT OR A MAGNET CAN BE ATTACHED AND USED WITH HALL EFFECT SENSOR.



- NOTES:** 5
1. NOT RECOMMENDED FOR USE WITH GAS.
 2. DO NOT FILL MORE THAN 90% CAPACITY.
 3. PORT DETAIL VARIES WITH SPECIFIC MODEL. REFER TO THE OPERATIONS AND MAINTENANCE MANUAL.

TECHNICAL DATA: 5

MASS IN AIR EMPTY:	5.4 kg (11.90 lbs)
MASS IN AIR WITH OIL: (@0.85 SG)	7.83 kg (17.27 lbs)
MASS IN SEA WATER EMPTY:	3.03 kg (6.69 lbs)
MASS IN SEAWATER FULL OF OIL: (@0.85 SG)	2.52 kg (5.55 lbs)
ACTUAL CAPACITY:	2.87 LITRES (0.757 USG)
PRESSURE FULLY CHARGED:	0.69 BAR (10.0 PSI)
PRESSURE EMPTY CHARGED:	0.34 BAR (5.0 PSI)
RELIEF VALVE SETTING (STD):	1.0 BAR (14.5 PSI)



REV	BY	DATE	DESCRIPTION	APP
5	JGO	09/01/09	WEIGHTS CORRECTED	
4	EBR	2/12/02	NEW TYPE FEET ADDED ECN-059	CMI
3	MBI	13/12/01	MOUNTING POINTS ADDED	CMI
2	SSM	18/01/2001	WEIGHTS MODIFIED AND CORRECTED, BRACKETS REMOVED	CMI
1	CMI	28/04/00	APPROVED FOR CONSTRUCTION	RWR

RECORD OF REVISIONS

MATERIAL	REFER TO SPECIFIC ASSEMBLY
FINISH	
USO, TOLERANCES TO BE	

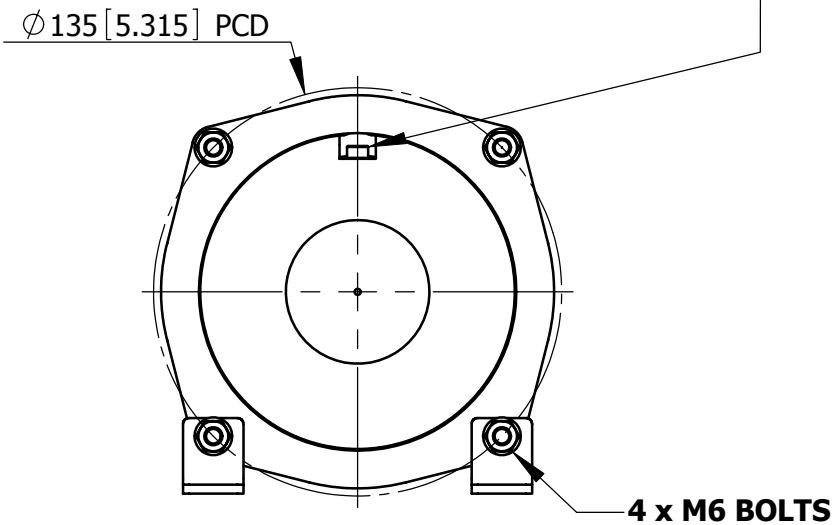
WT AIR	WT WATER
- kg (E) -	- kg (E)
DRAWN	CMI
DATE	28/04/00
CHECK	MBI
APPRV.	RWR
ENGR.	CMI

sub-Atlantic
 Woodburn Road,
 Blackburn Business Park, Blackburn,
 Aberdeen. U.K. AB21 0PS
 Tel: +44 (0) 1224 798660
 Fax: +44 (0) 1224 798661

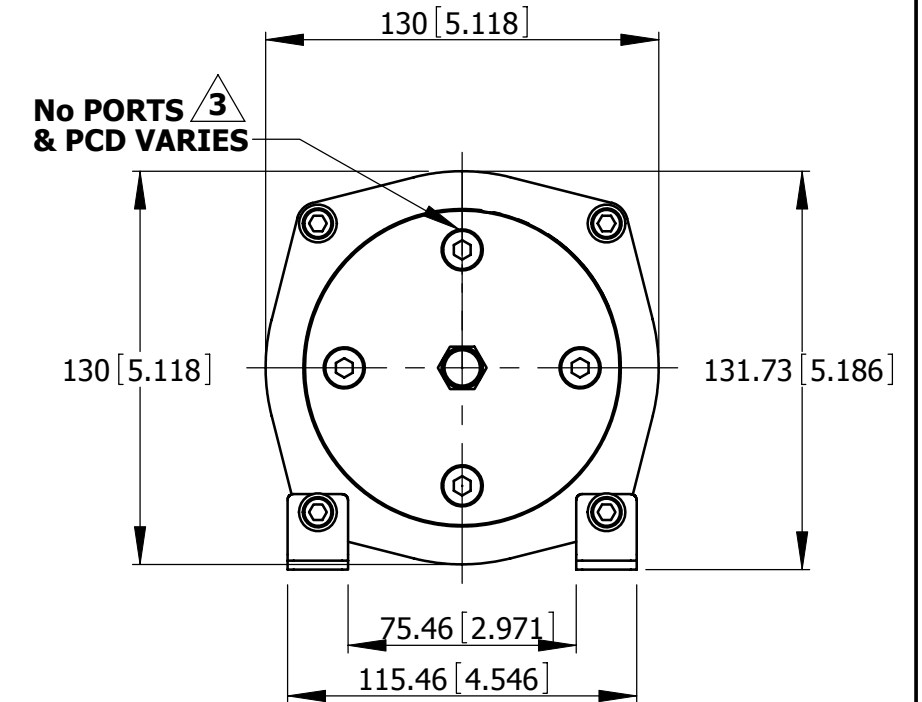
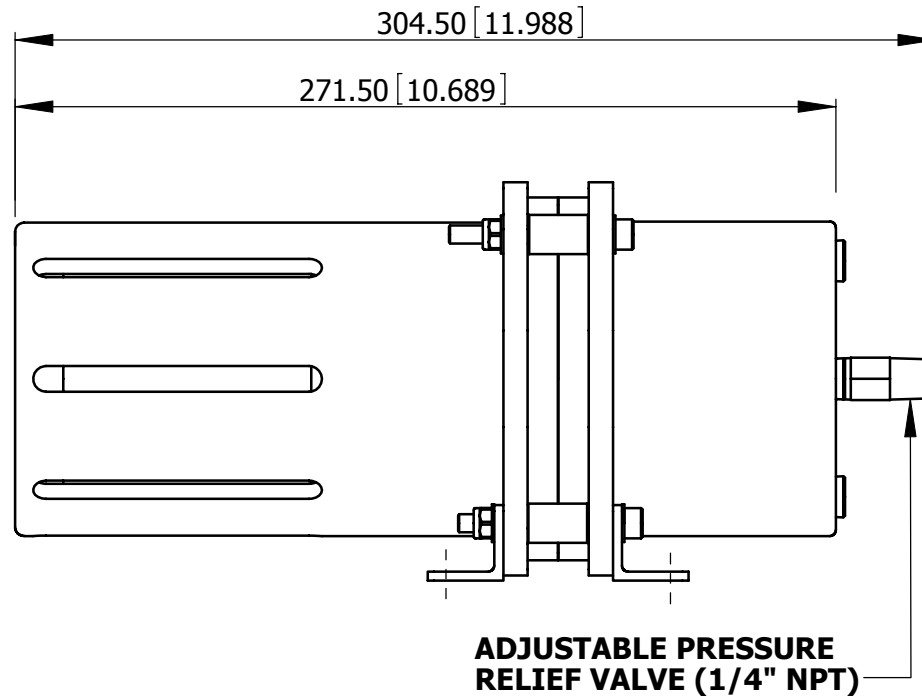
PROJECT	HYDRAULIC COMPENSATORS
TITLE	2700 cc COMPENSATOR GENERAL ARRANGEMENT DRAWING Sheet 1 of 1
SCALE (USO)	1 : 3
ORIG. SIZE	A3
DOC. No.	0608-GA
REV	5

IF IN DOUBT - ASK!

STAINLESS STEEL POSITION INDICATOR SCREW ATTACHED TO PISTON CAN BE USED FOR OPERATION OF PROXIMITY SWITCH, LVDT OR A MAGNET CAN BE ATTACHED AND USED WITH HALL EFFECT SENSOR.



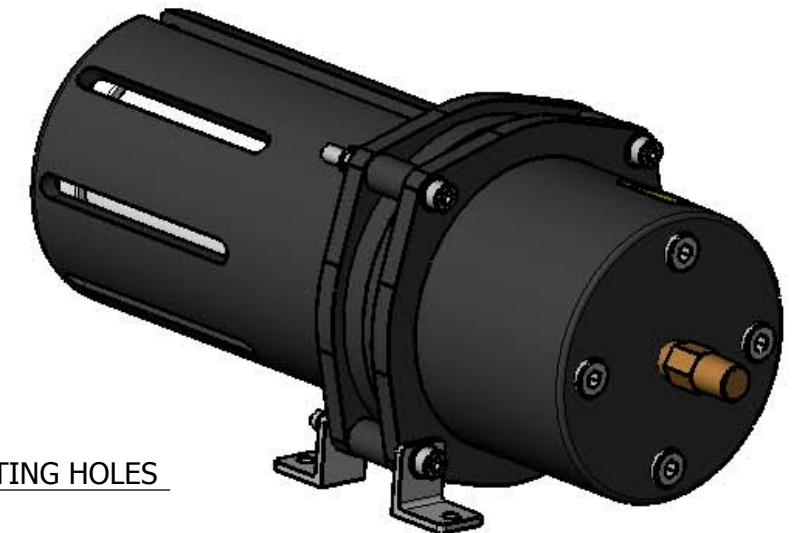
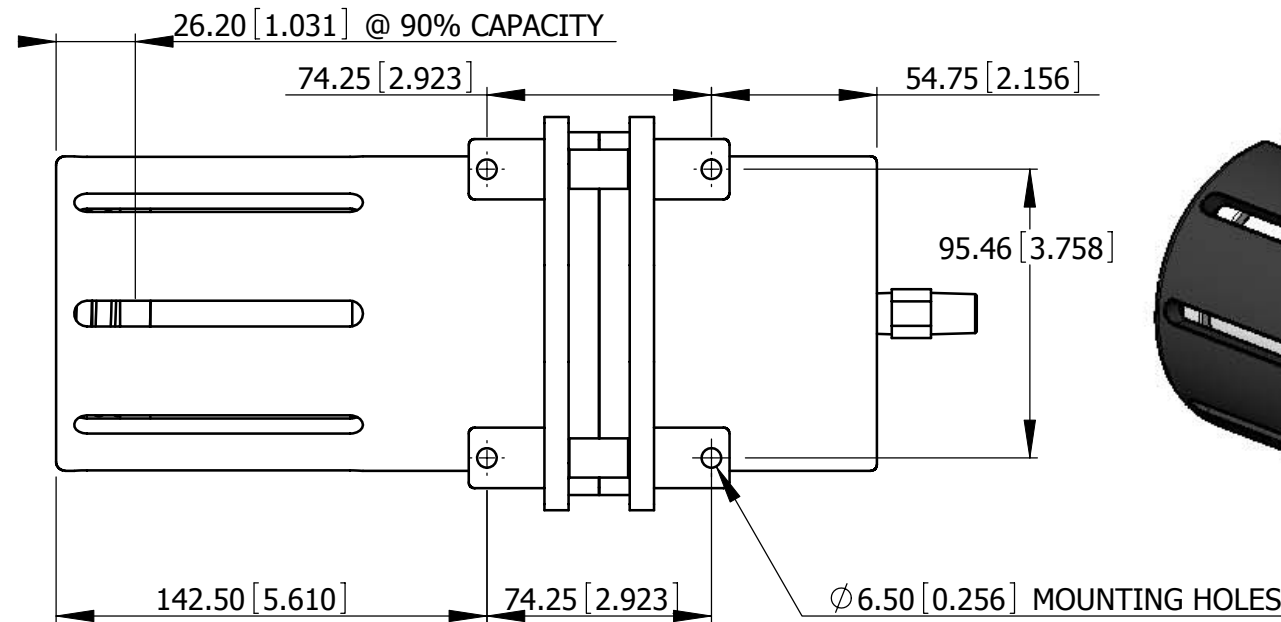
0 [0.000]



- NOTES:** 3
- NOT RECOMMENDED FOR USE WITH GAS.
 - DO NOT FILL MORE THAN 90% CAPACITY.
 - PORT DETAIL VARIES WITH SPECIFIC MODEL. REFER TO THE OPERATIONS AND MAINTENANCE MANUAL.
 - 370cc FEEDBACK KIT AVAILABLE:
4751-MAS-LS (SINGLE_NPT)
3711-MAS-LS (SINGLE_BSPP)
3783-MAS-LS (DUAL_BSPP)

TECHNICAL DATA (STANDARD): 3

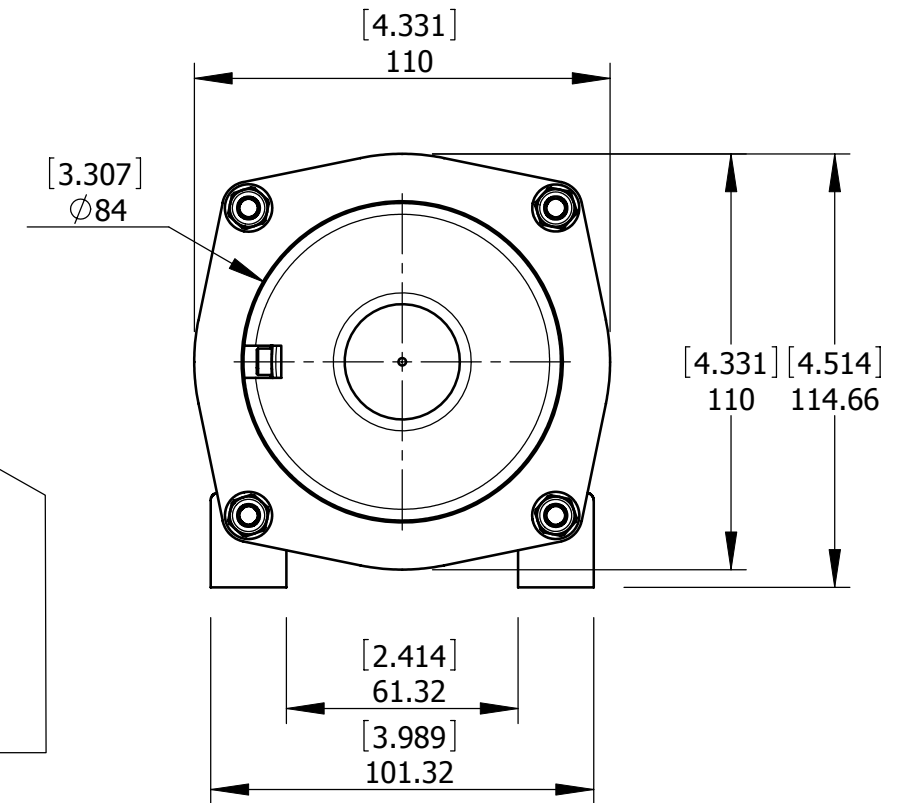
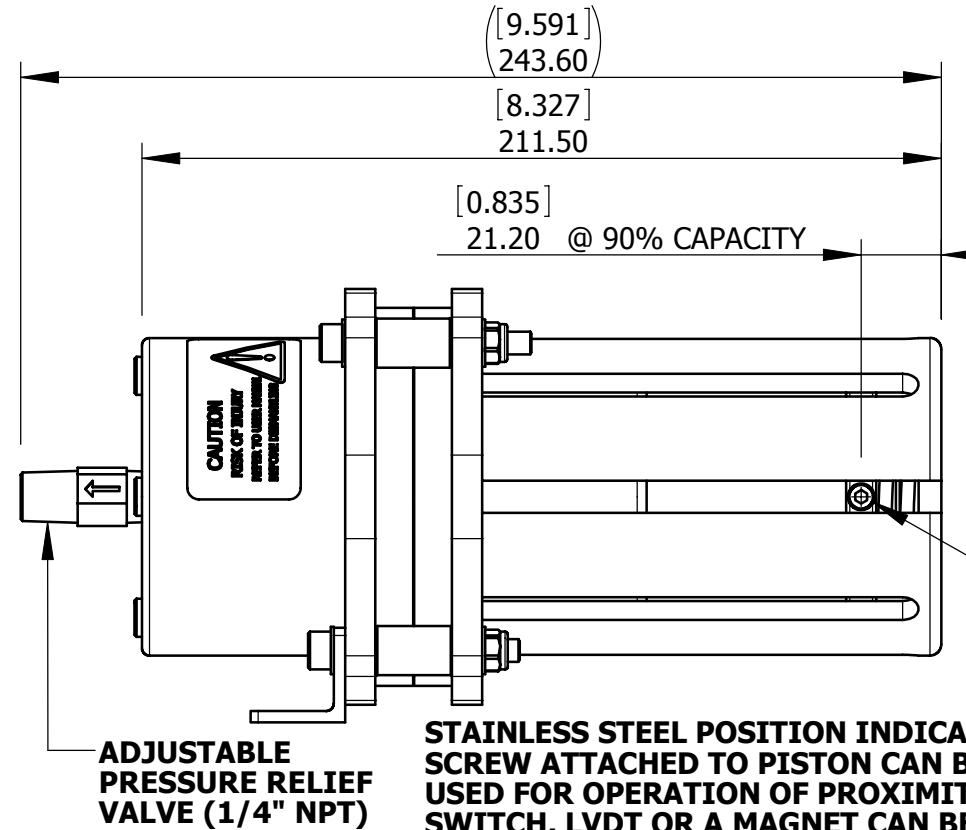
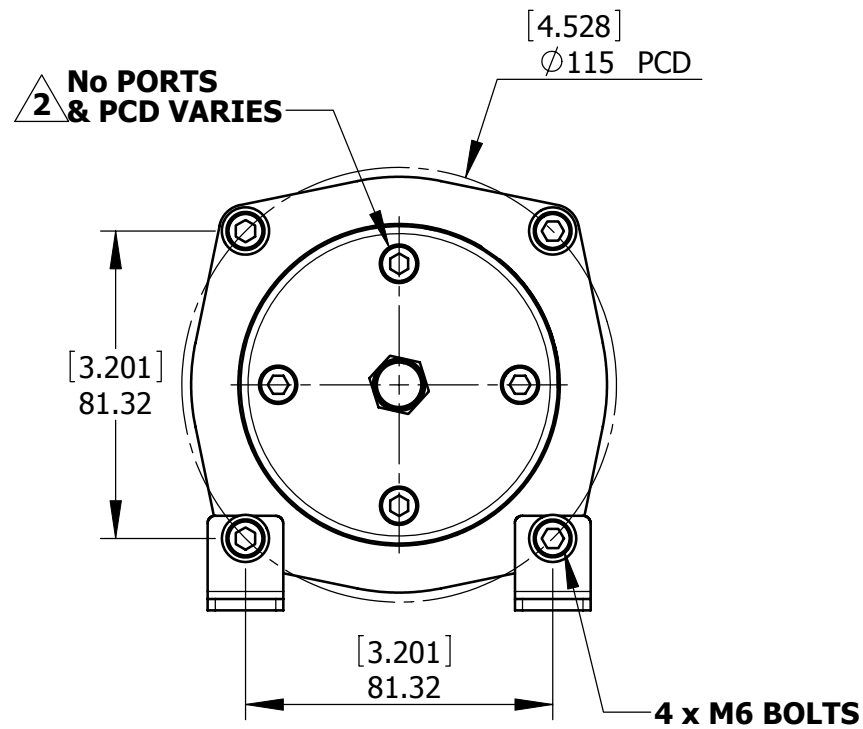
MASS IN AIR EMPTY:	2.0 kg (4.34 lbs)
MASS IN AIR WITH OIL: (@0.85 SG)	2.8 kg (6.15 lbs)
MASS IN SEA WATER EMPTY:	0.9 kg (2.04 lbs)
MASS IN SEAWATER FULL OF OIL: (@0.85 SG)	0.8 kg (1.65 lbs)
ACTUAL CAPACITY:	0.97 LITRES (0.255 USG)
PRESSURE FULLY CHARGED:	0.65 BAR (9.5 PSI)
PRESSURE EMPTY CHARGED:	0.33 BAR (4.7 PSI)
RELIEF VALVE SETTING (STD):	1.0 BAR (14.5 PSI)



				MATERIAL REFER TO SPECIFIC ASSEMBLY	WT AIR - kg (E) -	WT WATER - kg (E)	<p>Woodburn Road, Blackburn Business Park, Blackburn, Aberdeen. U.K. AB21 0PS Tel: ++44 (0) 1224 798660 Fax: ++44 (0) 1224 798661</p>	PROJECT OIL COMPENSATORS
				FINISH	DRAWN SSM	DATE 30/10/00		TITLE 860 cc COMPENSATOR GENERAL ARRANGEMENT DRAWING Sheet 1 of 1
3	JGO	08/01/09	WEIGHTS CORRECTED	USO, TOLERANCES TO BE	CHECK MBI	SCALE (USO) 1 : 2.5		DOC. No. 0831-GA
2	EBR	4/09/02	NEW TYPE FEET ADDED ECN-059-02		APPRV. CMI	ORIG. SIZE A3		REV 3
1	SSM	30/10/2000	APPROVED FOR CONSTRUCTION		ENGR. CMI			
REV	BY	DATE	DESCRIPTION	APP	RECORD OF REVISIONS			

IF IN DOUBT - ASK!

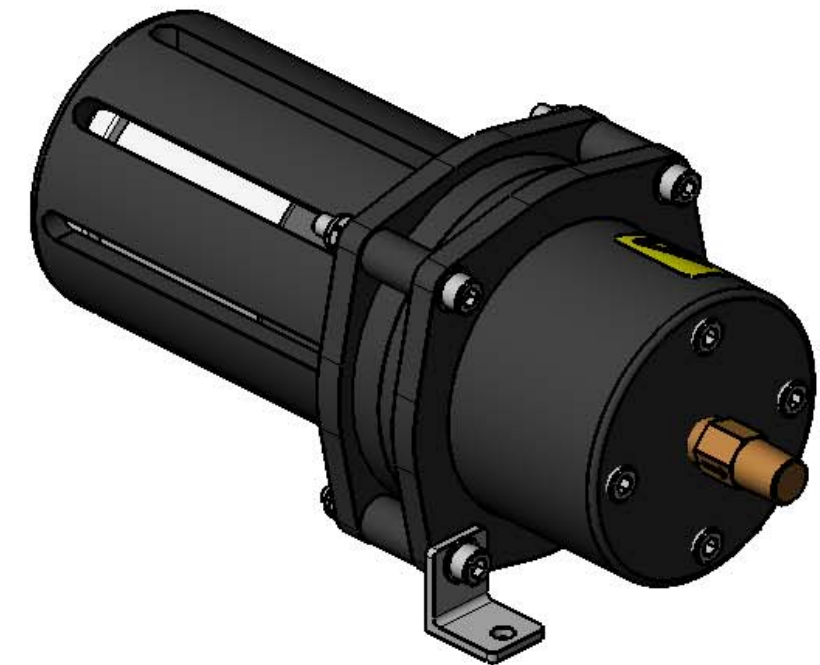
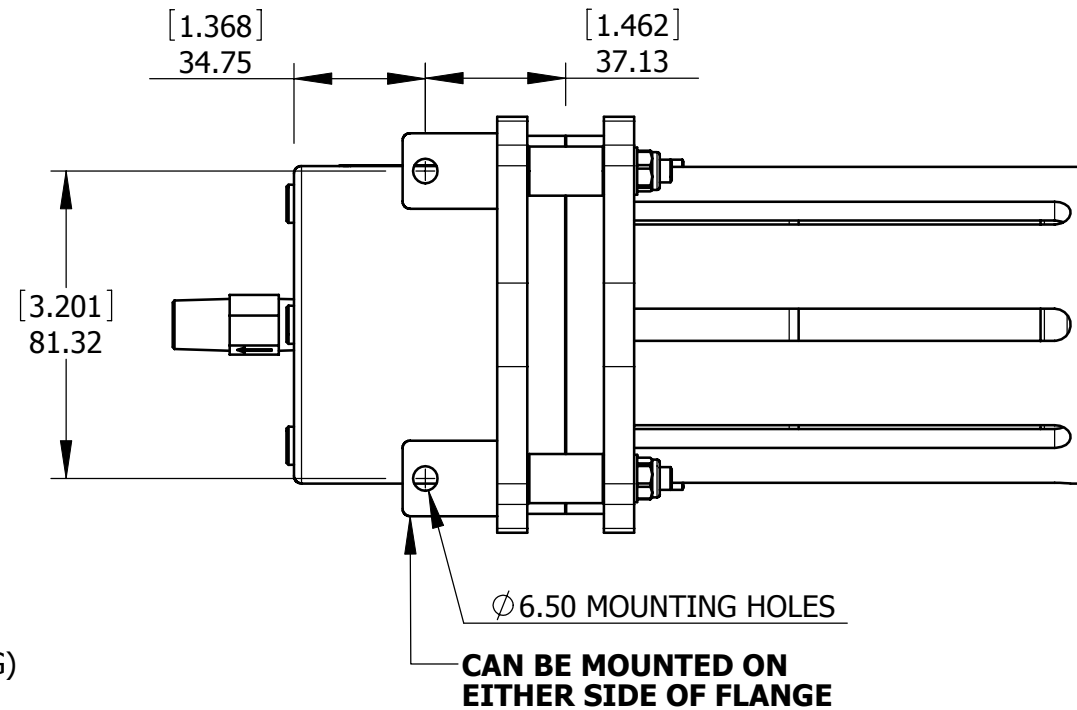
REMOVE SHARP EDGES



- NOTES:**
- NOT RECOMMENDED FOR USE WITH GAS.
 - DO NOT FILL MORE THAN 90% CAPACITY.
 - PORT DETAIL VARIES WITH SPECIFIC MODEL. REFER TO THE OPERATIONS AND MAINTENANCE MANUAL.
 - 370cc FEEDBACK KIT (1232-MAS) AVAILABLE.

TECHNICAL DATA:

MASS IN AIR EMPTY:	1.1 kg (2.46 lbs)
MASS IN AIR WITH OIL: (@0.85 SG)	1.5 kg (3.27 lbs)
MASS IN SEA WATER EMPTY:	0.5 kg (1.06 lbs)
MASS IN SEAWATER FULL OF OIL: (@0.85 SG)	0.4 kg (0.89 lbs)
ACTUAL CAPACITY:	0.43 LITRES (0.114 USG)
PRESSURE FULLY CHARGED:	0.66 BAR (9.6 PSI)
PRESSURE EMPTY CHARGED:	0.33 BAR (4.8 PSI)
RELIEF VALVE SETTING (STD):	1.0 BAR (14.5 PSI)



REV	BY	DATE	DESCRIPTION	APP
2	JGO	07/01/09	WEIGHTS DATA CORRECTED	
1	EBR	2/12/02	APPROVED FOR CONSTRUCTION	

RECORD OF REVISIONS

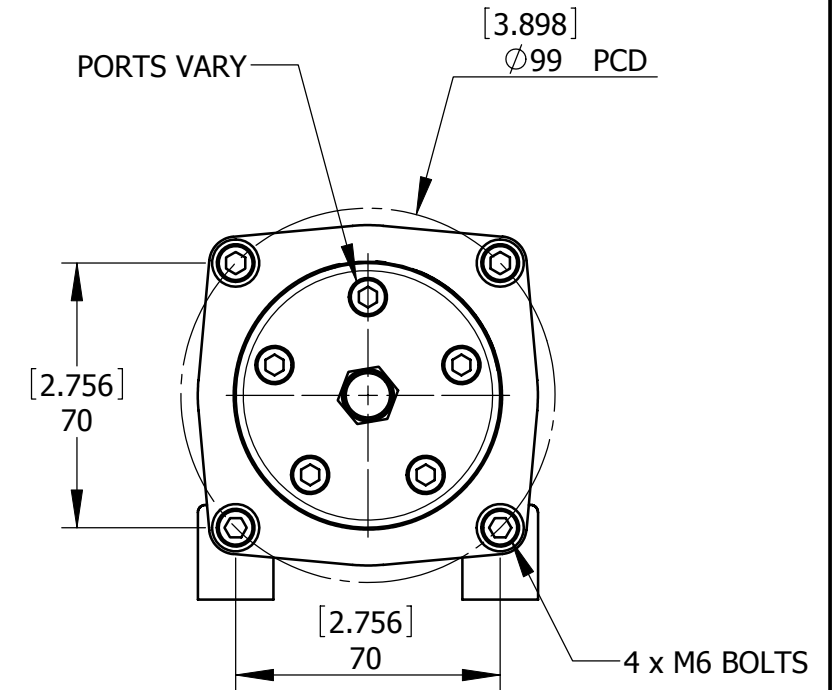
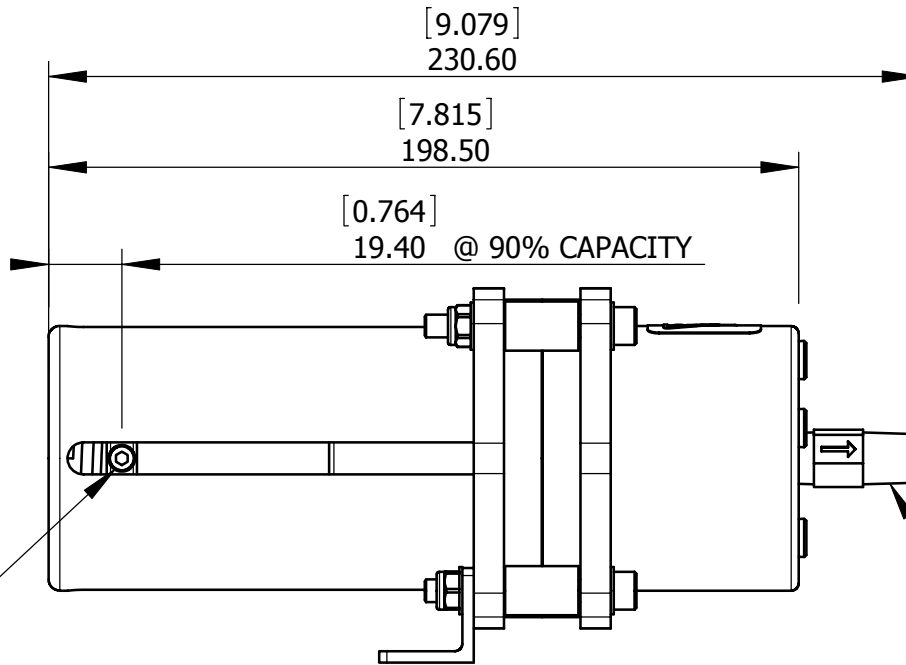
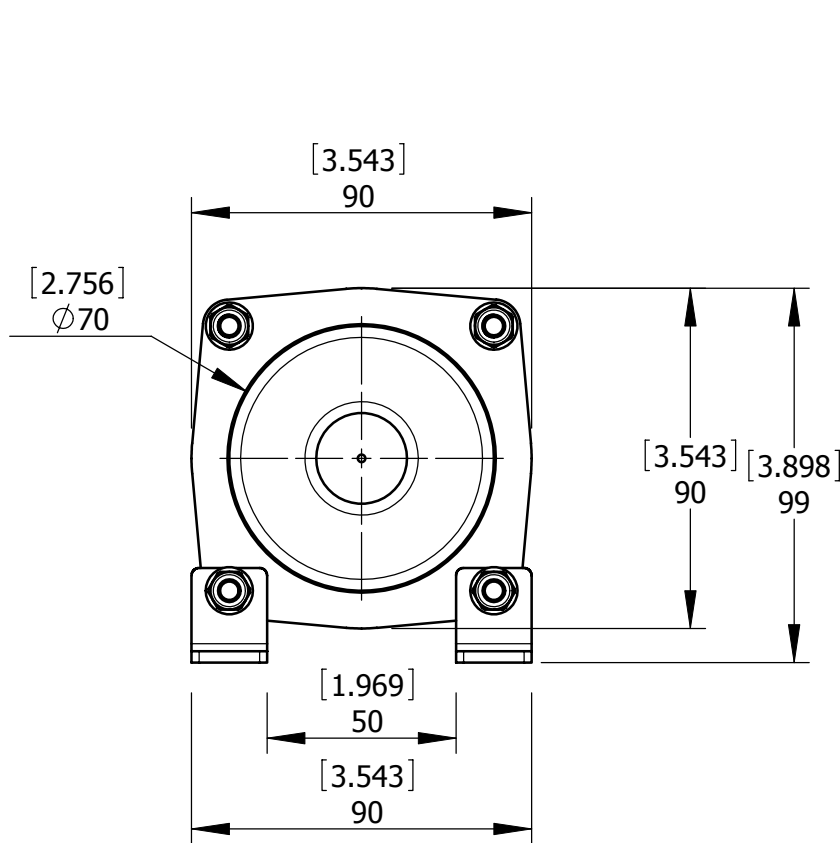
MATERIAL	REFER TO SPECIFIC ASSEMBLY
FINISH	
WT AIR	WT WATER
- kg (E) -	- kg (E)
DRAWN	EBR
DATE	2/12/02
CHECK	SSM
APPRV.	CMI
ENGR.	SSM

sub-Atlantic
 Woodburn Road,
 Blackburn Business Park, Blackburn,
 Aberdeen. U.K. AB21 0PS
 Tel: ++44 (0) 1224 798660
 Fax: ++44 (0) 1224 798661

PROJECT	OIL COMPENSATORS
TITLE	370CC COMPENSATOR
	GENERAL ARRANGEMENT DRAWING
	Sheet 1 of 1
SCALE (UOS)	ORIG. SIZE
1:2	A3
DOC. No.	0662-GA
REV	2

IF IN DOUBT - ASK!

REMOVE SHARP EDGES



STAINLESS STEEL POSITION INDICATOR SCREW ATTACHED TO PISTON CAN BE USED FOR OPERATION OF PROXIMITY SWITCH, LVDT OR A MAGNET CAN BE ATTACHED AND USED WITH HALL EFFECT SENSOR.

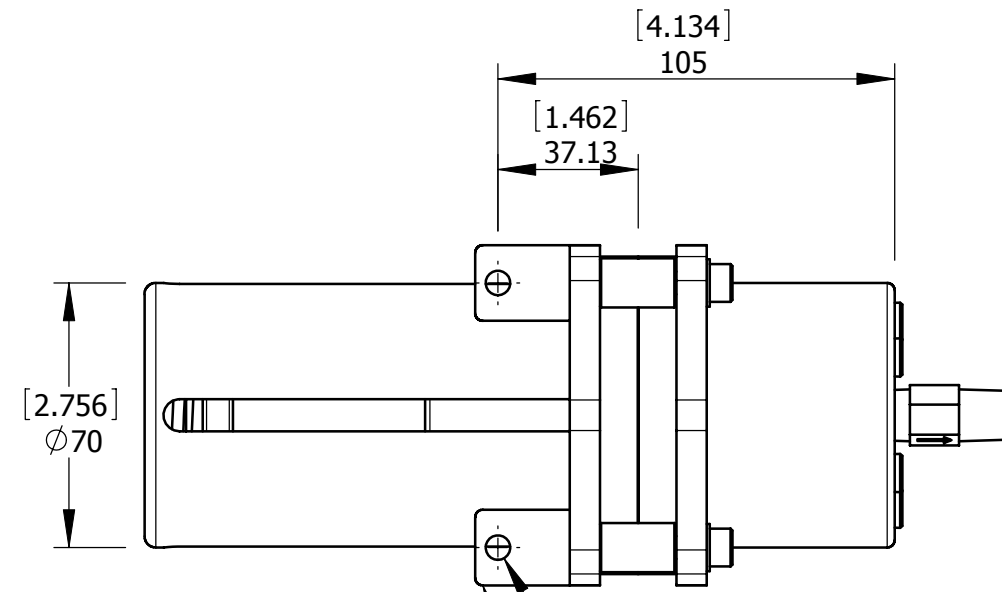
ADJUSTABLE PRESSURE RELIEF VALVE (1/4" NPT)

NOTES:

1. NOT RECOMMENDED FOR USE WITH GAS.
2. DO NOT FILL MORE THAN 90% CAPACITY.
3. PORT DETAIL VARIES WITH SPECIFIC MODEL. REFER TO THE OPERATIONS AND MAINTENANCE MANUAL.

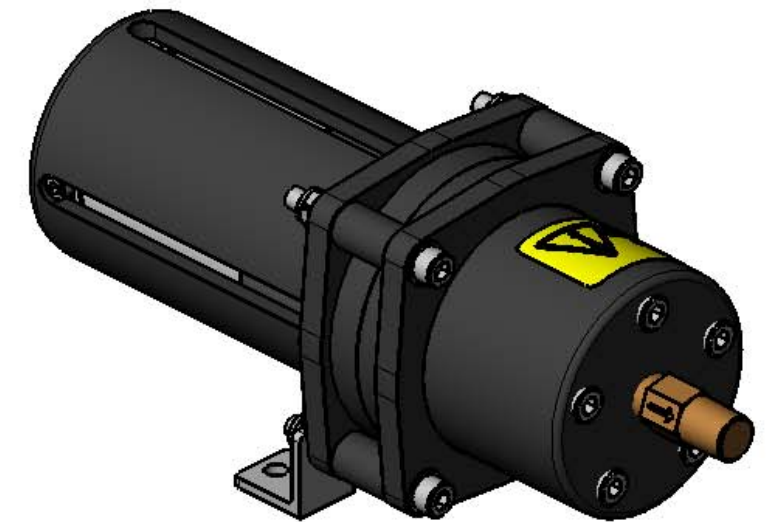
TECHNICAL DATA:

MASS IN AIR EMPTY:	0.8 kg (1.80 lbs)
MASS IN AIR WITH OIL: (@0.85 SG)	1.1 kg (2.35 lbs)
MASS IN SEA WATER EMPTY:	0.4 kg (0.82 lbs)
MASS IN SEAWATER FULL OF OIL: (@0.85 SG)	0.3 kg (0.70 lbs)
ACTUAL CAPACITY:	0.29 LITRES (0.078 USG)
PRESSURE FULLY CHARGED:	0.66 BAR (9.6 PSI)
PRESSURE EMPTY CHARGED:	0.32 BAR (4.6 PSI)
RELIEF VALVE SETTING (STD):	1.0 BAR (14.5 PSI)



$\phi 6.50$ MOUNTING HOLES

CAN BE MOUNTED ON EITHER SIDE OF FLANGE



REV	BY	DATE	DESCRIPTION	APP
5	JGO	07/01/09	WEIGHTS DATA CORRECTED	
4	EBR	12/02/03	NEW STYLE BODY ADDED	CMI
3	EBR	04/09/02	NEW STYLE FEET ADDED ECN-059-02	CMI
2	MBI	18/01/01	MODIFIED PORT TYPE	CMI
1	SSM	30/10/00	APPROVED FOR CONSTRUCTION	CMI

RECORD OF REVISIONS

MATERIAL	REFER TO SPECIFIC ASSEMBLY
FINISH	
USO, TOLERANCES TO BE	

WT AIR	WT WATER
- kg (E) -	- kg (E)
DRAWN	SSM
DATE	30/10/00
CHECK	MBI
APPRV.	CMI
ENGR.	CMI

sub-Atlantic
 Woodburn Road,
 Blackburn Business Park, Blackburn,
 Aberdeen. U.K. AB21 0PS
 Tel: ++44 (0) 1224 798660
 Fax: ++44 (0) 1224 798661
 SCALE (UOS) 1:2 ORIG. SIZE A3

PROJECT	OIL COMPENSATORS
TITLE	270CC COMPENSATOR
	GENERAL ARRANGEMENT DRAWING
	Sheet 1 of 1
DOC. No.	0832-GA
REV	5