



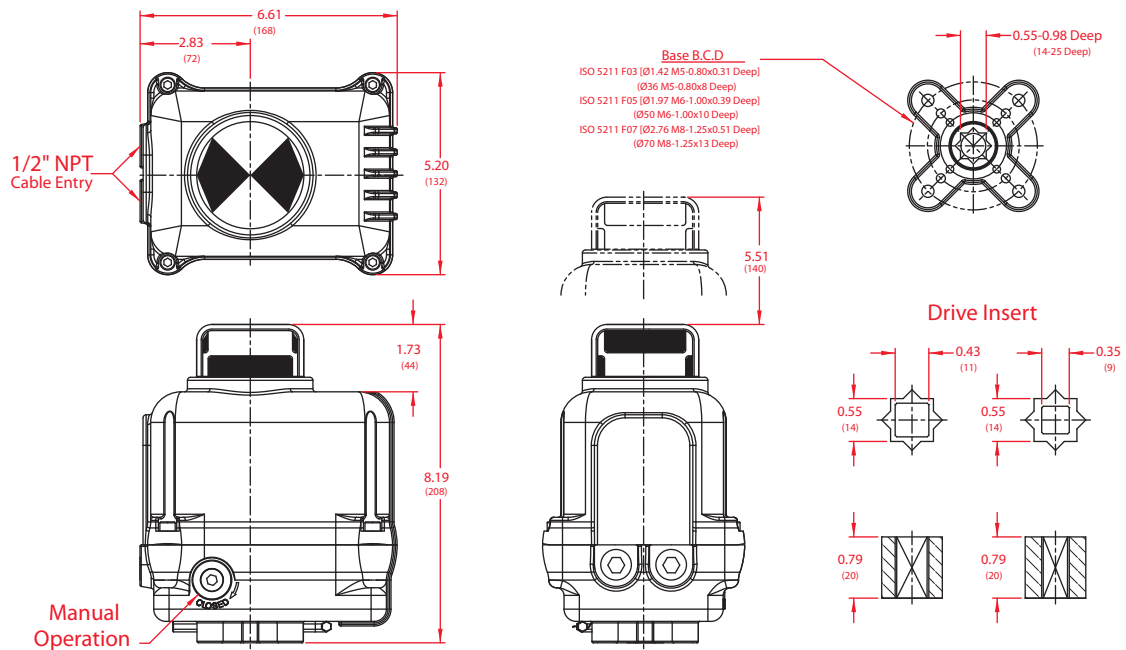
## Compact Electric Series



### Features

- Standard enclosure IP68 Nema 4, 4x, 6
- Dome type position indicator for high visibility
- Designed for small quarter-turn applications
- 5-watt space heater to minimize condensation due to temperature and humidity changes
- In case of power loss, a manual override provides for positioning the valve
- Worm gear drive, for longer life eliminates the possibility of back drive and the need for a motor brake
- Cam actuated, end of travel limit switches are easily adjusted to calibrate the actuator for precise valve position
- Two auxiliary limit switches are standard
- Thermal protection prevents overheating of the motor

**ABZ VALVES & CONTROLS**  
PO Box 157 • 113 W. Main • Madison, KS 66860  
620-437-2440 • FAX 620-437-2435  
[www.abzvalve.com](http://www.abzvalve.com) • [info@abzvalve.com](mailto:info@abzvalve.com)



PERFORMANCE ABZ-005 & ABZ-009

TYPE	Torque Inch Pounds	Cycle Time 90°		Rated Current Amps/Locked Rotor Amps					Duty Cycle S4 (%)	Handle Turns	Weight Lbs.
		50hz/60 hz	24vdc	1-Phase			12vdc	24vdc			
				24vac	110vac	220vac					
005L	434	17/14	10	1.8/7.90	0.37/0.48	0.18/0.22	3.62/13.90	1.8/7.90	75	6	7.7
009L	868	36/30	17	1.8/7.90	0.19/0.50	0.19/0.25	3.62/13.90	1.8/7.90	75	6	10.4

STANDARD SPECIFICATIONS

- Enclosure..... IP68, Nema 4, 4X & 6
- Indicator..... Dome type
- Ambient Temperature .....-4°F to +158°F
- Power Supply ..... 110 or 230 VAC 1PH 50/60Hz  
Optional 12VDC, 24VDC or 24VAC
- Limit switches..... (2) Open/Close  
(2) additional dry contacts Open/Close
- Travel Angle.....90°±5°
- Manual Operation..... L-wrench (6mm hexagon)
- Self locking.....Provided by means of worm gear
- Space Heater ..... 5-Watt Anti-Condensation
- Conduit Entries.....Two 1/2" NPT
- Lubrication..... Grease Moly (EP) type
- Materials ..... Steel, Aluminum Alloy, Bronze
- Surface Treatment.....Anodizing
- External Coating..... Dry Powder, Epoxy-Polyester

Options

- PIU Potentiometer Unit (1K OHM)
- CPT Current Position Transmitter Output: DC 4-20 mA
- PCU Proportional Control Unit Input: DC 4-20mA; 0-10V
- LCU Local Control Unit
- SC Short Cover
- FI Flat Indicator
- EXP ATEX Explosion Proof Ex d IIB T4"



**ABZ VALVES & CONTROLS, INC.**  
**A Global Flow Technologies Company**  
 P.O. Box 157 • 113 West Main • Madison, KS 66860  
 PHONE: 620-437-2440 • FAX: 620-437-2435  
 www.abzvalve.com • www.globalflowtech.com  
 info@abzvalve.com

The data presented in this bulletin is for general information only. Manufacturer is not responsible for compatibility or acceptability of these products in relation to system requirements. Patents and Patents Pending in U.S. and foreign countries. All rights reserved. Printed in U.S.A. ABZ reserves the right to change product designs and specifications without notice. Copyright 2009.

