

1

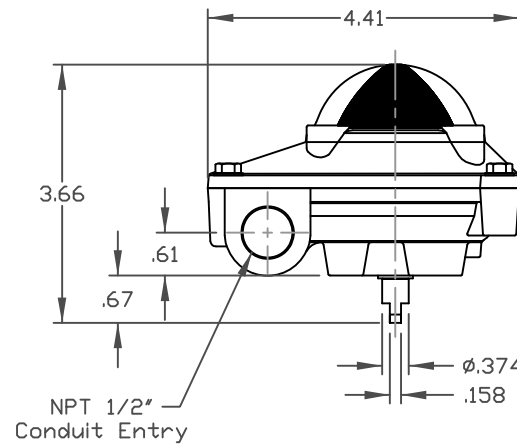
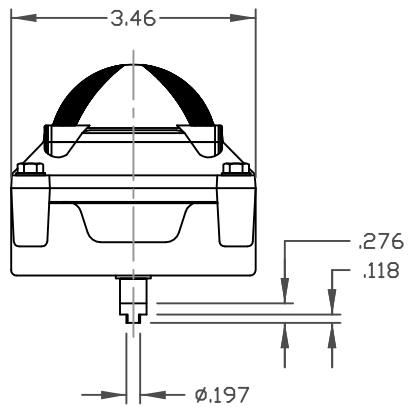
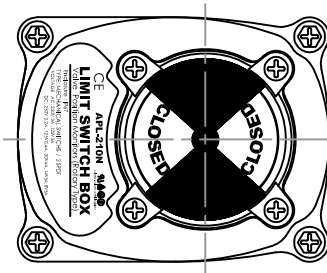
2

3

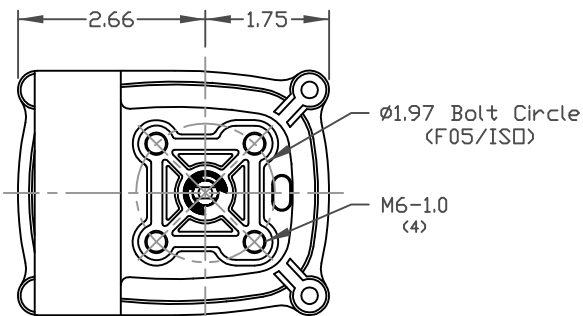
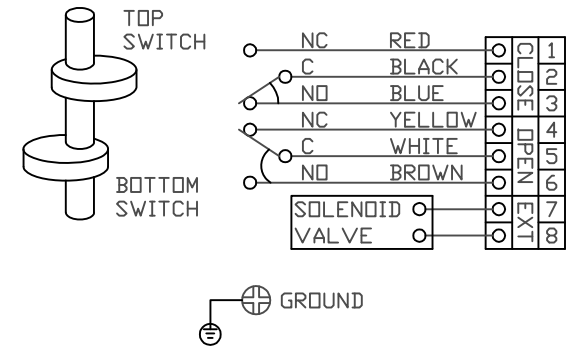
4

D

D



2 SPDT WIRING DIAGRAM



B

B

A

A

	113 W. Main P.O. Box 157 Madison, KS 66860 Phone: 620.437.2440 Fax: 620.437.2435 www.abzvalve.com		TITLE: ABZ-210 Series "Compact" Switch PART: Mechanical Switch (2 SPDT) ENCLOSURE: IP67 VOLTAGE: AC: 250V 3A, 125V 5A DC: 250V 0.2A, 125V 0.4A, 30V 4A, 14V 5A, 8V 5A	
	DRAWN BY: BC CHECKED BY: TP APPROVED BY: TP	DATE: 09-08-10 DATE: 09-08-10 DATE: 09-09-10	ABC JOB # INT'L DRAWING NO. ABZ-210 Series "Compact" Switch	REVISION

1

2

3

4