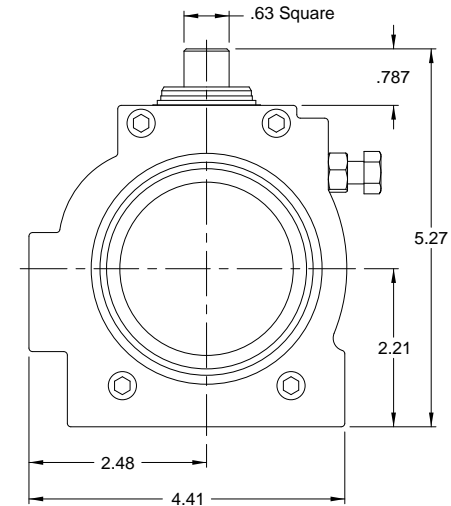
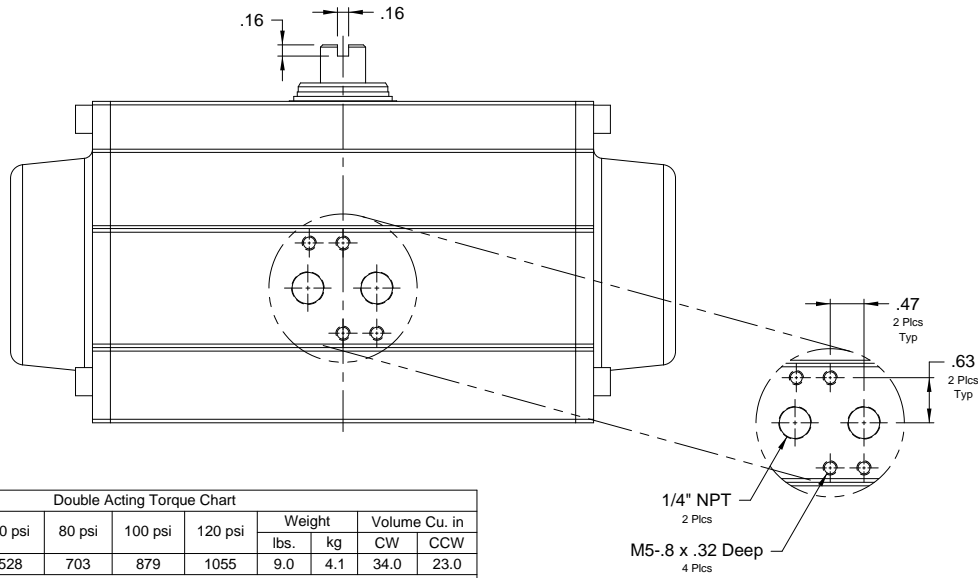


Actuator Mounting



Model	40 psi		60 psi		80 psi		100 psi		120 psi		Weight		Volume Cu. in	
	Start	End	Start	End	Start	End	Start	End	Start	End	lbs.	kg	CW	CCW
ABZ 80DA	352	528	703	879	1055		9.0	4.1	34.0	23.0				

Air Consumption (scf per 90 Deg.) = (Volume/1728) x (Supply Pressure + 14.7)/14.7

Model	Spring Set	Spring Torque inch lbs.		40 psi		60 psi		80 psi		100 psi		120 psi		Weight		Volume Cu. in	
		Start	End	Start	End	Start	End	Start	End	Start	End	Start	End	lbs.	kg	Spring	Air
ABZ 80SR	2/2	160	86	259	185	432	358	-	-	-	-	-	-	11.0	5.0	34.0	23.0
	3/3	245	128	218	101	390	273	564	447	-	-	-	-				
	4/4	330	170	-	-	348	188	522	362	696	536	-	-				
	5/5	410	215	-	-	304	109	477	282	651	455	-	-				
	6/6	490	260	-	-	-	-	432	202	605	375	-	-				

Air Consumption (scf per 90 Deg.) = (Volume/1728) x (Supply Pressure + 14.7)/14.7

Notes:
1. Minimum clearance required for mounting brackets (top and bottom).

FORUM ENERGY TECHNOLOGIES		Valve Solutions ABZ Valves & Controls		
Title: Pneumatic Actuator Series 228 - ABZ 80 - Rack & Pinion				Unit Inch Projection
DWG No. ABZ 80				Template R0
Date 04-04-16	Drawn BC	Checked TH	Dimensions are subject to change without notice.	
Revision 0				