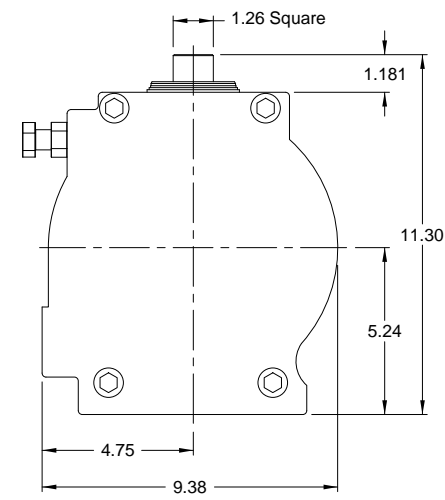
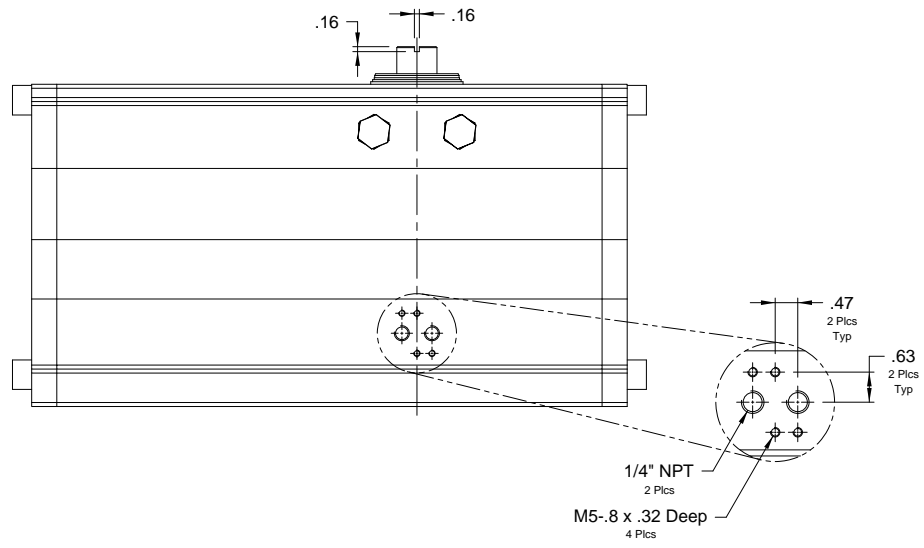


Actuator Mounting



Notes:  
1. Minimum clearance required for mounting brackets (top and bottom).

Double Acting Torque Chart								
Model	Supply Air	0 Degree			Weight		Volume Cu. in	
		0 Degree	Min	90 Degree	lbs.	kg	CW	CCW
ABZ 2500DA	60 psi	13334	6667	11610	98.0	44.5	525.0	310.0
	80 psi	17778	8890	15483				
	100 psi	22223	11110	19350				
Air Consumption (scf per 90 Deg.) = (Volume/1728) x (Supply Pressure + 14.7)/14.7								

<b>FORUM</b> ENERGY TECHNOLOGIES		Valve Solutions ABZ Valves & Controls		
Title: <b>Pneumatic Actuator</b> Series 228 - ABZ 2500 - Scotch Yoke				Unit inch
DWG No. ABZ 2500DA				Projection 
Date 04-19-16	Drawn BC	Checked TH	Dimensions are subject to change without notice.	Template R0
				Revision 0