

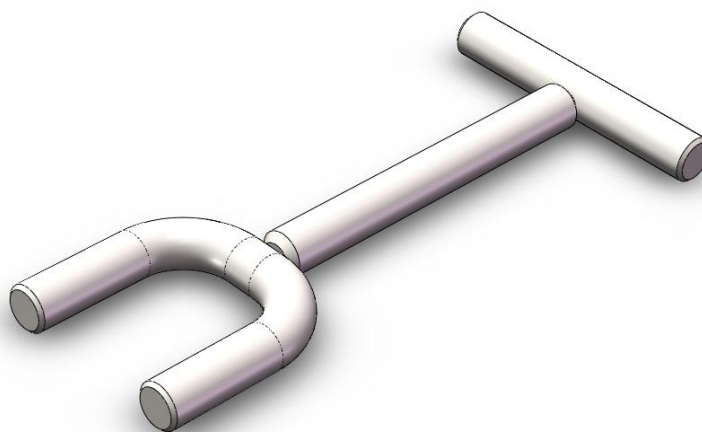


Fork Tool Manipulator Handle

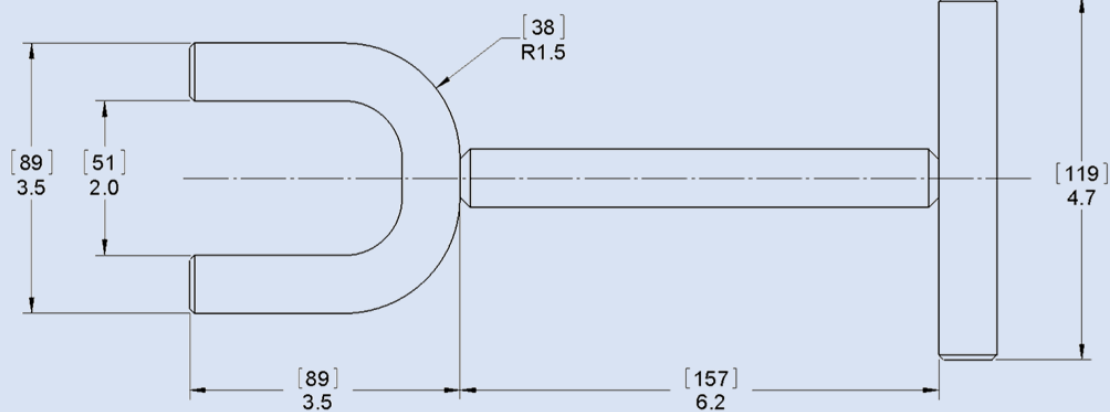
The Fork Manipulator Handle is used in the jaws of a seven function manipulator and is used to operate paddle style ROV operated valves.

Features.

- T-Bar Manipulator interface
- Fork Interface
- 316 Stainless Steel



Detail Drawing TL0030-5000-00.



Data Sheet: A001-350-142 issue 1

The specification details are illustrative for marketing purposes only. Actual equipment may be different as a result of product improvement or other reasons. Specific interface and performance information should be reconfirmed at time of order placement.