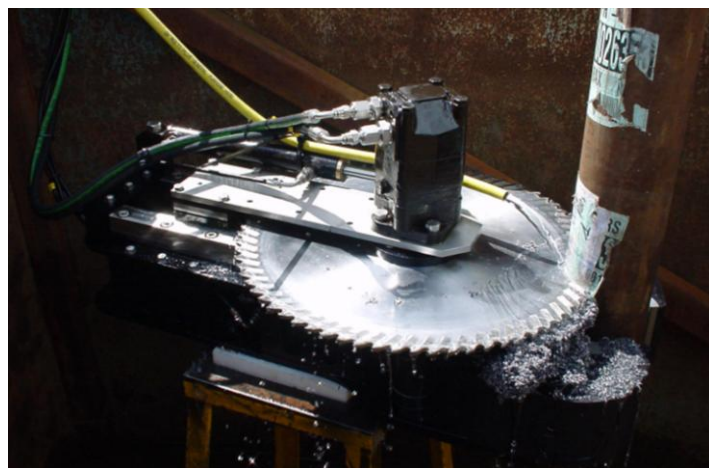
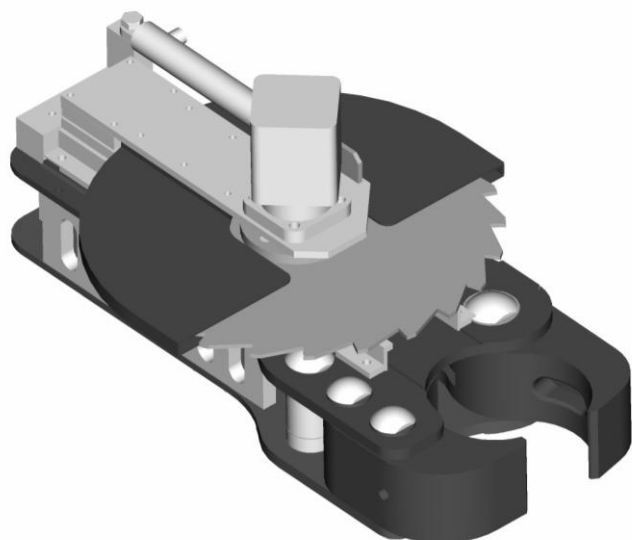




Ø6.25" Chain Cutter Gripper .



Project Summary

- Client: Single Buoy Moorings (SBM)
- Delivery Date: May 2002
- PSS Part Number A036-047-002
- Used to cut up to Ø6.25" Chain Links
- ROV deployable Hydraulically Operated

SBM approached PSS to provide a solution for removing large anchor chains securing oil rigs. PSS produced a design study offering potential solutions and then proceeded to the design stage.

The tool is based on the successful PSS cable gripper with the addition of a metal cutting disc directly coupled to a hydraulic motor.

PSS Drawing Number A001-350-105 iss 1

The specification details are illustrative for marketing purposes only. Actual equipment may be different as a result of product improvement or other reasons. Specific interface and performance information should be reconfirmed at time of order placement.