



Universal Subsea Display

The Universal Subsea Display (USD), displays information from a wide range of sensor types. It is viewed using ROV cameras or directly by divers. The USD is housed in a robust anodised aluminium alloy housing with an integrated compensator. The unit is available with a two line display (6 digits per row) or a single line (4 digits and a minus sign). The two line display can display information from two separate inputs.

Features

- Rated to 3000m
- Power input 3.5v-35v
- User-Friendly Configuration Software Package
- Rugged Construction



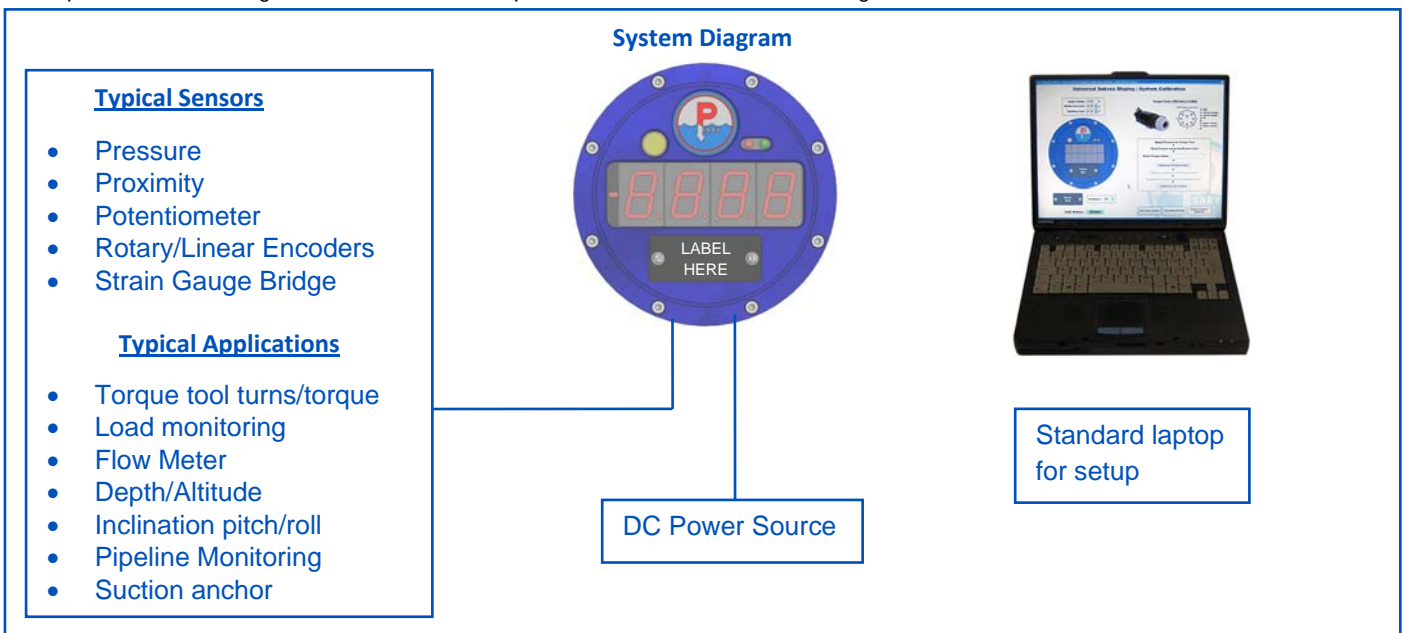
A019-904-400/01 Kit

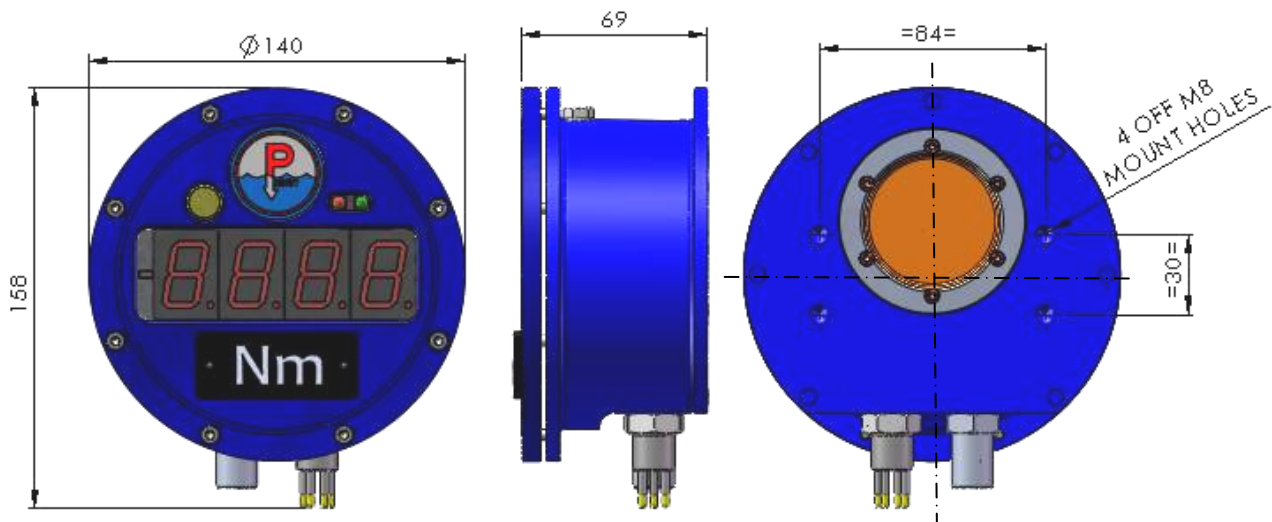
- Dual Line USD
- Battery Pack
- Battery Charger
- Connection Cables
- Software
- Packing Case

The USD readily interfaces to equipment through two subsea connectors. The first connects to a battery pack or a vehicle/tooling package with both power and communication. The second connects to the equipment to be monitored providing the interfaces for sensing and the supplies for powering the equipment sensors.

The USD uses ultra-efficient LED types, a very low power processor and sophisticated power switching regulators which, together, mean it can operate from a wide DC voltage input range, requiring very low current and equally able to operate from ROV supply or from battery. In addition, it has a software configurable sleep mode with option to wake up on sensor activity or from the light sensor on the front face.

The unit can be configured for a multitude of applications easily and quickly using the software configuration package. A simple user interface gives access to all the options available and allows configurations to be defined and saved for future use.





Specifications		Options
Depth Rating:	3000m (10,000feet)	<ul style="list-style-type: none"> ■ Rechargeable Battery Pack (Up to 10 Days battery life) ■ Programming Kit ■ Connection Cables ■ Single Line or Dual Line ■ Straight or Right Angle Subconn Connectors.
Available Sensor Inputs:	Strain Gauge Bridge (full Wheatstone) 0-5V & 0-10V Analogue Voltage 4-20mA Analogue Current PNP or NPN Type contact/proximity Contact Closure – reed switch/ digital	
Sensor Supplies:	1 off 5V to 250mA 1 off 12V to 500mA	
Sensor supply protection:	Current Limited & short circuit protected	
Serial Out:	RS232 or RS485 (software selectable) (PSS Proprietary format)	
Input voltage	3.5 – 35V DC (reverse polarity protected)	
Typical operating current	25mA @12v, 4 digits full bright, digital sensor	
Display Options	4 digits, sign, decimal point (-9999 to 0.000 to 9999) 2 rows of 6 digits, decimal point (-99999 to 0.00000 to 999999)	
Features	Green LED – power ON Red flashing LED – low voltage Low voltage shutdown (for Li-ion batteries) Wake on count or light flash Internal temperature monitoring/display Supply voltage monitoring/display Adjustable display brightness	

The specification details are illustrative for marketing purposes only. Actual equipment may be different as a result of product improvement or other reasons. Specific interface and performance information should be reconfirmed at time of order placement.