



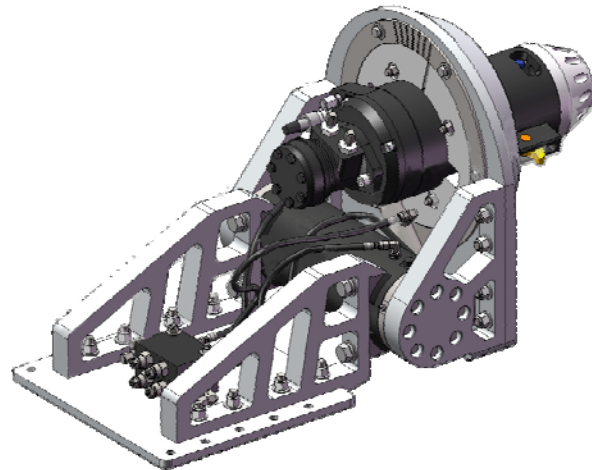
Upright Flying Lead Orientation Tool

The FLOT tool is designed to operate in conjunction with a torque tool and is used to orientate and guide flying leads into the stab plate connections. The FLOT tool is designed to take the PSS Class 1-4 torque tool, but can easily accommodate similar tools from other manufacturers. A rotary actuator allows a pitch alignment of plus 60 or minus 90 degrees with a load of up to 250kg attached. The tool is also equipped with a roll alignment function giving a rotation of plus or minus 15 degrees.

The FLOT tool is compact and the tool mounting base is supplied with a selection of mounting holes for mounting within the forward structure of the ROV. The pitch and roll actuators are controlled from the ROV's spare directional control valves.

Features

- +/- 15 Degree roll angle
- +60/- 90 Degree pitch angle
- Counterbalance Valve on both actuators.



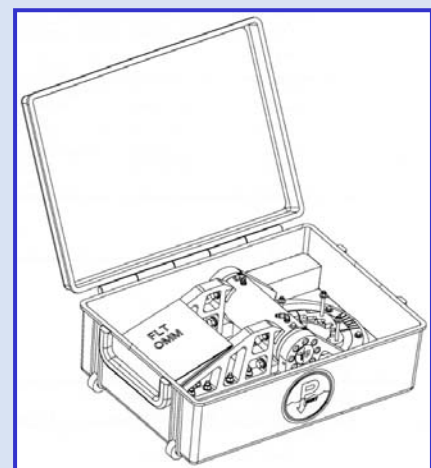
Specifications

Weight in air/water:	77 kg/57 kg (169 lbs/125lbs) (excl torque tool)
Pitch:	+60,- 90 degrees
Rotation:	+/- 15 degrees
Payload Capacity:	250kg (550lb) mounted on torque tool, through full range of travel.
Hydraulic control from ROV:	Two off bi directional solenoid control valves plus drain
Operating Fluid:	Hydraulic Oil
Operating Pressure:	207 bar (3000 psi)
Hydraulic Fittings:	JIC or Swagelok
Materials:	
Main body of tool:	Anodised Aluminium
Roll linear actuator :	Stainless rod, painted carbon steel body
Pitch Actuator:	Painted carbon steel body
Torque tool carrier:	Acetal

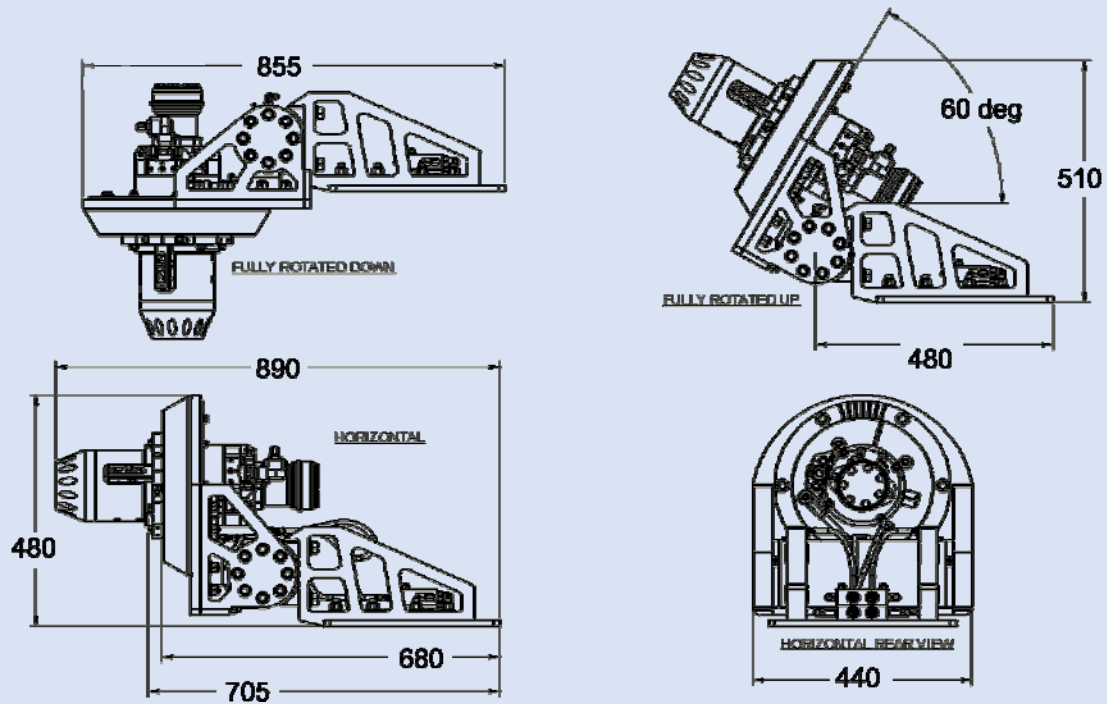
What's in the box.

TL0017-0000-00

- Flying Lead Tool.
- Fish Tail handle and cage.
- Hose Set (JIC with Swagelok adaptors)
- Manual



Tool Dimensions.



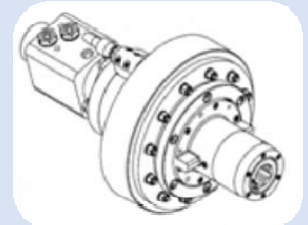
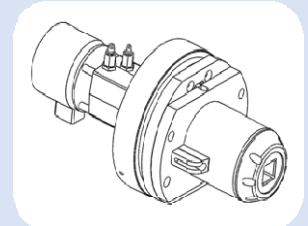
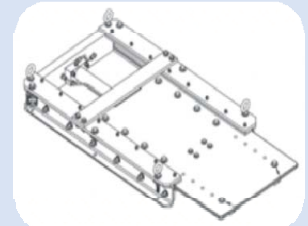
Part Numbers & Options

- TL0017-0000-00 Flying Lead Tool
- TL0017-0800-00 Spares Kit for Flying Lead Tool

- TL0017-5000-00 Extending Deck for flying lead tool

- TL0017-2000-00 Adaptor to allow fitment of Oceaneering Tool

- TL0017-3000-00 Adaptor to allow fitment of Petrobras Tool



Data Sheet: A001-350-076 issue 7

The specification details are illustrative for marketing purposes only. Actual equipment may be different as a result of product improvement or other reasons. Specific interface and performance information should be reconfirmed at time of order placement.