



# Tool Deployment Unit

The Tool Deployment Unit (TDU) is used where subsea equipment has been designed around this ISO interface. TDU is sometimes referred to as an X-Y-Z unit. It has the advantage of reducing the space required on subsea structures and allows a high degree of precision when deploying tools.

The PSS unit conforms to the ISO interface requirements with the full range of supporting tools: including torque, gripper, stab plate and linear override.

The system is fitted to a host ROV, usually at rear, and is controlled over its own data link from a laptop computer. The operating software includes the PSS torque tool control suite with full turns and torque feedback as standard.

## Features

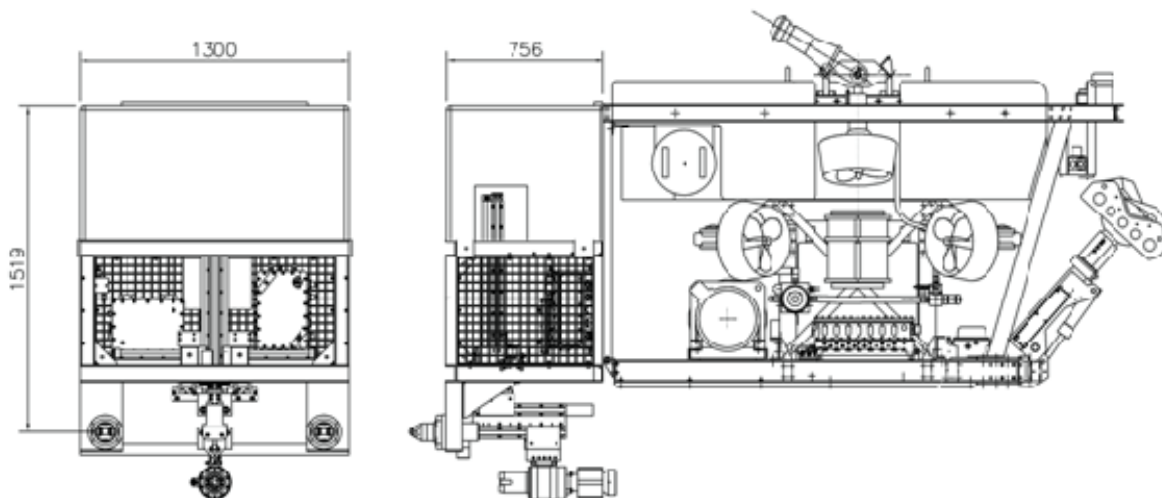
- ISO standard interface
- Full suite of supporting tools
- Robust and simple

## System Part #

A288-003-002



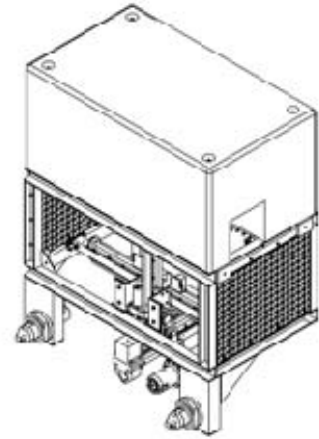
## Dimensions



## Details



Laptop Control Software



## Specifications

Host ROV requirements:	RS485 data link 20 lpm 200 bar hydraulic oil source Video signal link
Standard working pressure:	207 bar (3000 psi)
Depth rating:	Buoyancy block to client requirement, max 4000m
Weight in air/water:	562kg/0 kg (with 1500m buoyancy rating)
Cameras:	4 off with zoom and focus control
Lights:	2 off with dimmer control
Hydraulic functions:	8 off NG3 switching DCV 1 off NG6 proportional DCV
Available tools include:	Torque tools (high, medium, low ranges) Gripper unit with or without slide

Note: The TDU is normally supplied as a complete system with spares and storage container, HPU, deck stand, lift frame and a suite of tools and spares.

Data Sheet: A001-350-075 issue 4

The specification details are illustrative for marketing purposes only. Actual equipment may be different as a result of product improvement or other reasons. Specific interface and performance information should be reconfirmed at time of order placement.