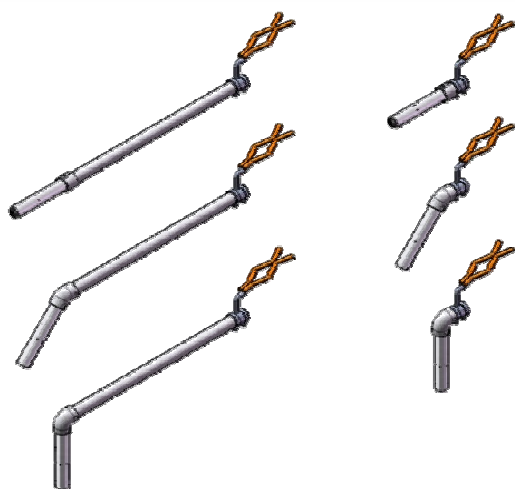




ROV Camera

The ROV camera is used for inspection of difficult locations. The camera is mounted in plastic outer casing to prevent damage to seal hubs. A colour camera with local ring LED light source is mounted in a plastic housing with a fish tail style handle for manipulation by the ROV. The camera is supplied with three joints and two lengths of camera tube to suit the specific application.



Specifications

Horizontal Resolution	470 TV Lines – PAL
Scanning	625 Line/0 Hz –PAL
Video Output	Composite, 1.0V peak to peak into 75 ohm Balanced video output
Field of view in water	54 Deg Diagonal.
Focus Control	Fixed, 75mm to infinity
Power Input :	11-30VDC, 310 mA (max) (with LED lights on)
Electrical Connector	Sea-Conn BH-4-MP
Handle Interface	Fishtail
Depth Rating	4,000m
Cable	4m Sea-Conn connecting cable
Materials	Handle St-St, Body PE100
Camera Material	Titanium Body

What's in the box.

A198-017-001

- Camera (individually cased).
- Connection Cable
- Plastic extension tube & joint
- Foam cut out
- Manual



Part Numbers & Options

A198-017-010 Spares Kit

Data Sheet: A001-350-011 issue 2

The specification details are illustrative for marketing purposes only. Actual equipment may be different as a result of product improvement or other reasons. Specific interface and performance information should be reconfirmed at time of order placement.