



TA17 Cable Gripper

The Cable Gripper forms the link between a recovery line from the surface vessel and a submarine cable when the cable is to be brought to the surface.

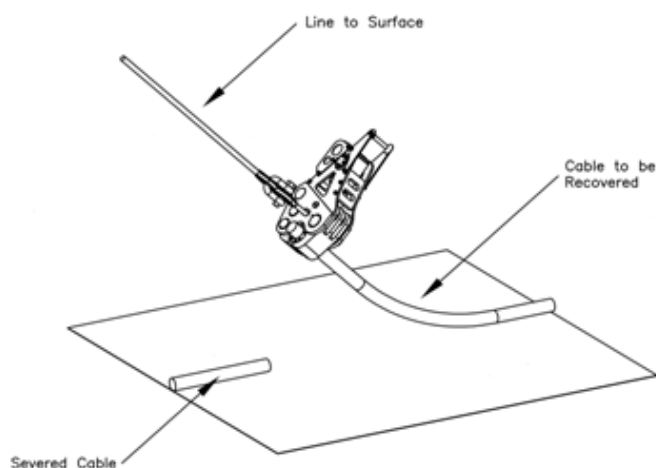
The cable gripper is a powerful jaw mechanism with a lifting eye. The jaw is set hydraulically and then remains mechanically locked (by an over centre mechanism) after the hydraulics are removed. It is therefore highly suitable for operation by Remotely Operated Vehicles (ROVs).

The unit is normally fitted with a hydraulic connection ejection system to disconnect it from the ROV once it has been operated. It will also, in an emergency, eject automatically if sufficient mechanical pull load is put on the eject mechanism.

The gripper consists of one static and one hinged jaw. It is closed and opened by a hydraulic ram. A choice of jaw sets provides the necessary flexibility to enable the gripper to handle cable of varying sizes up to 100mm in diameter.

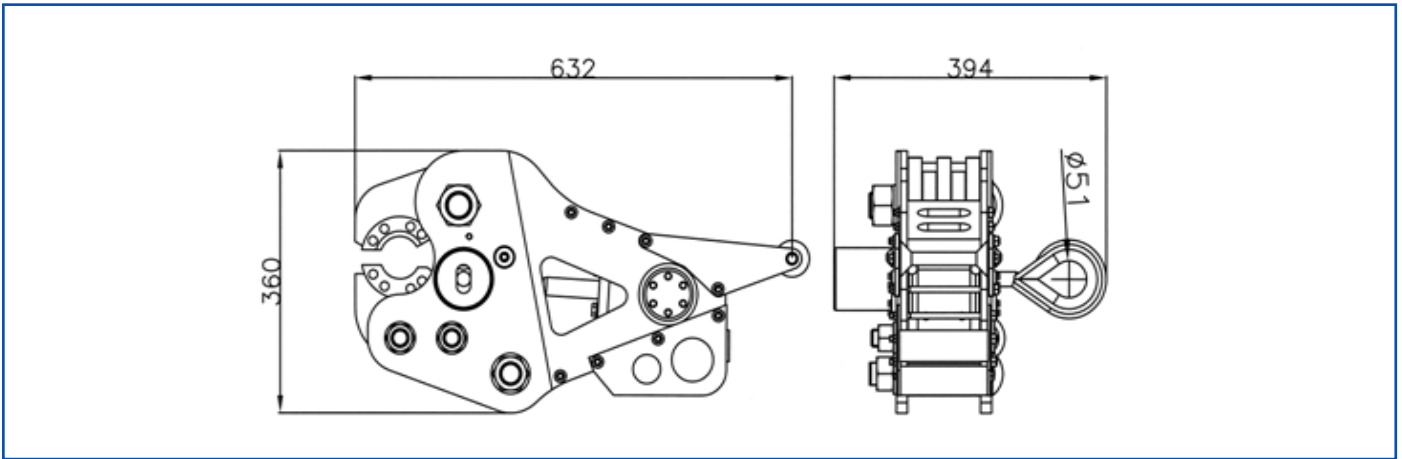
Features

- Grips Cables up to $\text{Ø}100\text{mm}$
- 23 Tonne maximum Line Pull
- Robust Construction
- Industry Standard Tool



Standard TA017

Part # TA017-00-001



Available cable jaw sizes

The jaws sets are sold separately from the cable gripper. Most jaw and cable combinations have been set from testing with cable samples. Only use recommended jaw and cable combination. Please ask if your specific cable type is not on our list. A summary of the main types are as follows

Double Armoured Cables	:	72, 57.7mm
Single Armoured Cables	:	57.7, 52.2, 42.7, 38.7, 34.7mm
Lightweight Cables	:	25.4, 37.3mm
Fibre Optic Double Armoured Cables	:	57.7mm
Fibre Optic Double Lightweight Cables	:	21, 26.2, 31.75, 31.8mm

Specification

Pull (max):	23 Tonne (this is line load-not SWL)
Cable Diameter:	100mm max
Cable Type:	Armoured or lightweight
Max Hydraulic Pressure:	210 bar
Hydraulic Fluid:	Mineral Oil
Weight:	35kg
Weight In Water:	25kg

Data Sheet: A001-350-003 issue 6

The specification details are illustrative for marketing purposes only. Actual equipment may be different as a result of product improvement or other reasons. Specific interface and performance information should be reconfirmed at time of order placement.