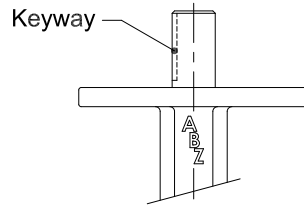
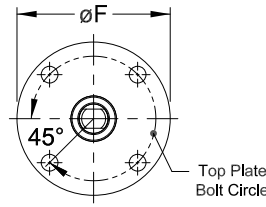


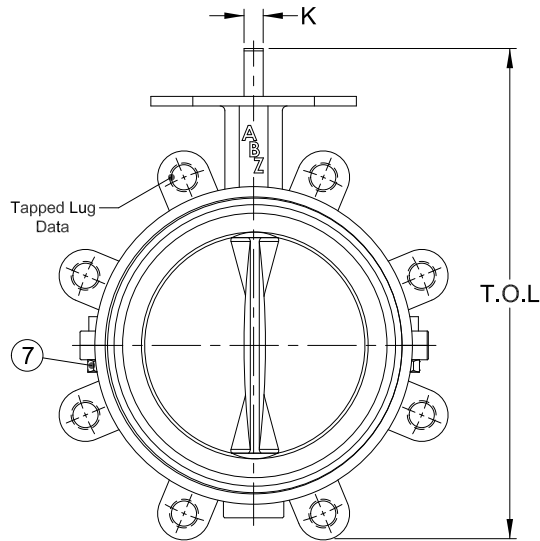
Top View



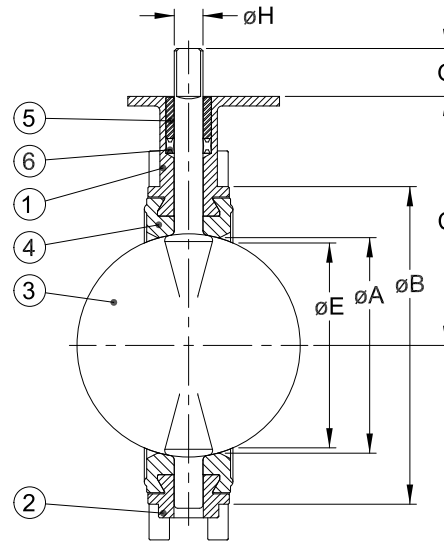
10" & 12" Stem



Top View
8" thru 12"



Flow View



Section View

Valve Parts			
Item No.	Name	Material	No. Req'd
1	Top Body	-	1
2	Bottom Body	-	1
3	Stem-Disc	-	1
4	Seat	-	1
5	Bushing	-	1
6	Seal	-	1
7	Side Bolts	-	2

Notes:

1. The Figure 929 valve can not be used on a pipe or flange with an inside diameter less than the "E" dimension.
2. Installation Direction: Bi-directional (150 psi) and Dead End Service (75 psi)
3. Undercut disc are rated for 50 psi bi-directional service and 25 psi dead end service.
4. Elastomer covered disc rated to 100 psi bi-directional service, 50 psi dead end service and not available in undercut.
- * 5. Not Available in elastomer covered Disc.

Valve Dimensions

Design Standard API 609 Cat. A	CWP Rating 150 PSI	Flange Connection B16.1 / B16.5	Test Standard API 598
-----------------------------------	-----------------------	------------------------------------	--------------------------

Valve Solutions
ABZ Valves & Controls

Title: **Resilient Seated Butterfly Valve**
Stainless Steel Series 929 - Lug Type

DWG No. **2"-12" 929-Bare Stem**

Date: 09-22-11 | Drawn: BC | Checked: Tp | Dimensions are subject to change without notice.

Scale: N/A
Projection:

Unit: inch
Revision: 0

Valve Size	ϕA	ϕB	C	D	ϕE	F	G	ϕH	K	Keyway	T.O.L	Weight	Top Plate Drilling			Tapped Lug Data		
													Bolt Circle	No. of Holes	Hole Dia.	Bolt Circle	No. of Holes	Tap
2"	2 1/8	3 7/8	4	1 5/8	1 11/16	5 3/8	1 1/4	9/16	3/8	---	7.69	5 lbs	3 1/4	4	7/16	4 3/4	4	5/8"-11unc
* 2 1/2"	2 9/16	4 3/16	4 1/2	1 3/4	2 3/16	5 3/8	1 1/4	9/16	3/8	---	8.56	6 lbs	3 1/4	4	7/16	5 1/2	4	5/8"-11unc
3"	3 1/8	5 1/8	4 7/8	1 3/4	2 7/8	5 3/8	1 1/4	9/16	3/8	---	9.28	7 lbs	3 1/4	4	7/16	6	4	5/8"-11unc
4"	4 1/8	6 1/4	6	2	3 7/8	5 3/8	1 1/4	5/8	7/16	---	11.53	8 lbs	3 1/4	4	7/16	7 1/2	8	5/8"-11unc
6"	6 1/8	8 9/32	6 1/2	2 1/8	6	5 3/8	1 1/4	3/4	1/2	---	12.90	15 lbs	3 1/4	4	7/16	9 1/2	8	3/4"-10unc
8"	8 1/8	10 7/8	8 3/8	2 1/2	8	6	1 1/4	7/8	5/8	---	16.06	29 lbs	5	4	9/16	11 3/4	8	3/4"-10unc
10"	10 1/8	13 1/4	9	2 1/2	10 1/16	6	2	1 1/8	---	1/4x1/4	18.63	43 lbs	5	4	9/16	14 1/4	12	7/8"-9unc
12"	12 1/8	15 7/8	10 5/8	3	11 15/16	6	2	1 1/8	---	1/4x1/4	21.44	66 lbs	5	4	9/16	17	12	7/8"-9unc