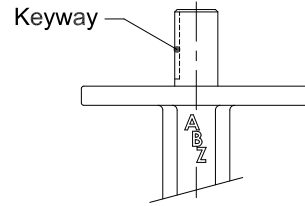
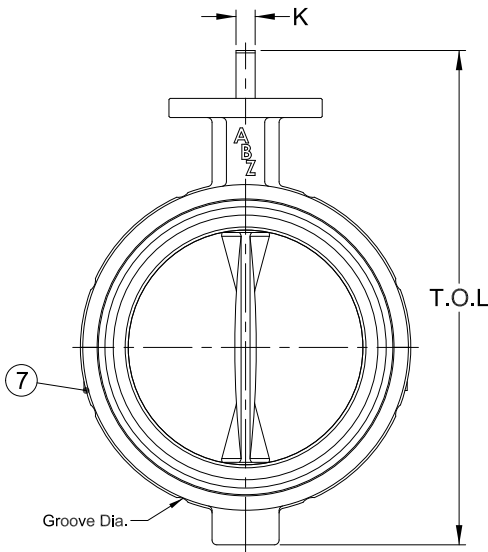


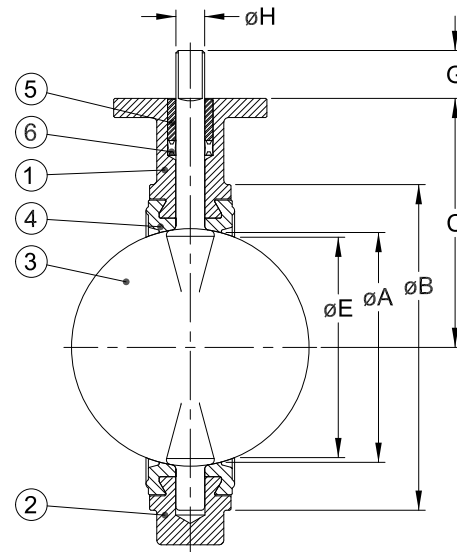
Top View



10" & 12" Stem



Flow View



Section View

Valve Parts

Item No.	Name	Material	No. Req'd
1	Top Body	-	1
2	Bottom Body	-	1
3	Stem-Disc	-	1
4	Seat	-	1
5	Bushing	-	1
6	Seal	-	1
7	Side Bolts	-	2

Notes:

1. The Figure 090 valve can not be used on a pipe or flange with an inside diameter less than the "E" dimension.
2. Installation Direction: Bi-directional / Not For Dead End Service
- * 3. Not Available in elastomer covered Disc.
4. Elastomer covered disc rated to 100 psi and not available in undercut.
5. Undercut disc are rated to 50 psi.

Valve Dimensions

Valve Size	øA	øB	C	D	øE	øF	G	øH	K	Keyway	T.O.L	Weight	Top Plate Drilling			Groove Dia.		
													Bolt Circle	No. of Holes	Hole Dia.	Bolt Circle	No. of Groove	Groove
2"	2 1/8	4 1/8	3 15/16	1 5/8	1 11/16	4	1 1/4	9/16	3/8	---	7.69	5 lbs	3 1/4	4	7/16	4 3/4	4	1/2"
* 2 1/2"	2 9/16	4 7/8	4 1/2	1 3/4	2 3/16	4	1 1/4	9/16	3/8	---	8.56	7 lbs	3 1/4	4	7/16	5 1/2	4	1/2"
3"	3 1/8	5 3/8	4 7/8	1 3/4	2 7/8	4	1 1/4	9/16	3/8	---	9.28	8 lbs	3 1/4	4	7/16	6	6	1/2"
4"	4 1/8	6 7/8	6	2	3 7/8	4	1 1/4	5/8	7/16	---	11.53	13 lbs	3 1/4	4	7/16	7 1/2	6	5/8"
* 5"	5 3/16	7 5/8	6	2 1/8	5	4	1 1/4	3/4	1/2	---	11.81	14 lbs	3 1/4	4	7/16	8 1/2	6	5/8"
6"	6 1/8	8 3/4	6 1/2	2 1/8	6	4	1 1/4	3/4	1/2	---	12.90	17 lbs	3 1/4	4	7/16	9 1/2	8	5/8"
8"	8 1/8	11	8 5/16	2 1/2	8	6	1 1/4	7/8	5/8	---	16.06	32 lbs	5	4	9/16	---	---	---
10"	10 1/8	13 3/8	9	2 1/2	10 1/16	6	2	1 1/8	---	1/4x1/4	18.63	42 lbs	5	4	9/16	13 23/32	8	3/4"
12"	12 1/8	16 1/8	10 5/8	3	11 15/16	6	2	1 1/8	---	1/4x1/4	21.44	69 lbs	5	4	9/16	---	---	---

Design Standard API 609 Cat. A	CWP Rating 150 PSI	Flange Connection B16.1 / B16.5	Test Standard API 598
-----------------------------------	-----------------------	------------------------------------	--------------------------



Valve Solutions
ABZ Valves & Controls



Title: Resilient Seated Butterfly Valve Series 090 - Wafer Type	Scale N/A
DWG No. 2"-12" 090-Bare Stem	Unit inch

Date 09-22-11	Drawn BC	Checked Tp	Dimensions are subject to change without notice.	Revision 0
------------------	-------------	---------------	--------------------------------------------------	---------------