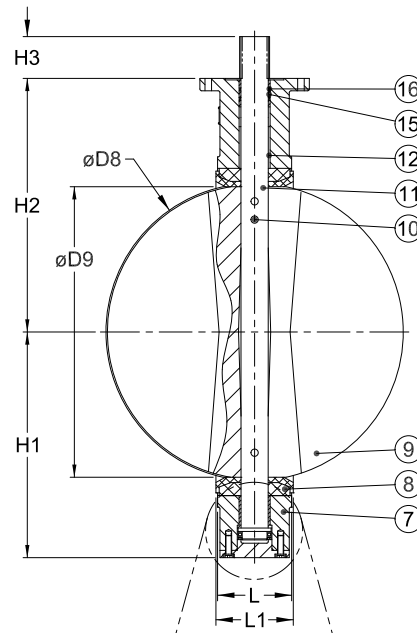
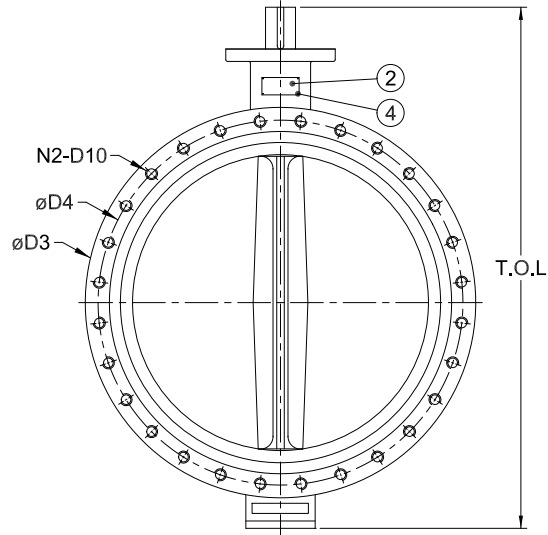


Top View



Section View



Flow View

Valve Parts			
Item No.	Name	Material	No. Req'd
1	End Cover	-	1
2	Screw	-	4
3	"O" Ring	-	1
4	Gasket	-	1
5	Bearing	-	1
6	Lower Bushing	-	1
7	Body	-	1
8	Seat	-	1
9	Shaft	-	1
10	Disc	-	1
11	Taper Pin	-	3
12	Long Bushing	-	1
13	Plate Rivets	-	4
14	Name Plate	-	1
15	Short Bushing	-	4
16	"O" Ring	-	3
17	Key	-	2

Notes:

1. The Figure 397 valve can not be used on a pipe or flange with an inside diameter less than the "D9" dimension.
2. Installation Direction: Bi-directional (150 psi) / Dead End Service (75 psi)
3. Threaded 28"-30" 1 1/4"-7unc & 32"-48" 1 1/2"-6unc; 2 places, both sides.

Design Standard API 609 Cat. A	CWP Rating 150 PSI	Flange Connection B16.1 / B16.5	Test Standard API 598
-----------------------------------	-----------------------	------------------------------------	--------------------------

Valve Dimensions



Valve Solutions  
ABZ Valves & Controls



Title: <b>Resilient Seated Butterfly Valve</b> <b>Series 397 - Lug Type</b>			Scale N/A
DWG No. 28"-48" 397-Bare Stem			Projection 
Date 09-22-11	Drawn BC	Checked Tp	Unit inch
Dimensions are subject to change without notice.			Revision 0

Valve Size	øD1	øD2	øD3	øD4	N2	D10	øD6	N1	øD7	øD8	øD9	L	L1	H1	H2	H3	T	T.O.L	Key
28"	11.81	2.494	36.50	34.00	28	1 1/4"-7unc	10.00	8	.71	27.36	26.59	6.50	6.65	20.48	24.76	3.74	2.13	49.25	2 - 0.709
30"	11.81	2.494	38.74	36.00	28	1 1/4"-7unc	10.00	8	.71	29.29	28.56	6.50	6.89	22.01	25.98	3.74	2.13	51.73	2 - 0.709
32"	11.81	2.494	41.73	38.50	28	1 1/2"-6unc	10.00	8	.71	31.28	30.39	7.40	7.67	23.39	26.22	3.74	2.36	53.35	2 - 0.709
36"	11.81	2.952	45.98	42.75	32	1 1/2"-6unc	10.00	8	.71	34.04	33.09	7.99	8.31	25.83	28.35	5.12	1.97	59.29	2 - 0.787
40"	11.81	3.346	50.75	47.25	36	1 1/2"-6unc	10.00	8	.71	37.99	37.02	8.50	8.81	28.29	31.50	5.12	2.36	64.88	2 - 0.866
42"	11.81	3.346	52.99	49.50	36	1 1/2"-6unc	10.00	8	.71	40.55	39.33	9.88	10.28	30.59	33.78	5.91	2.60	70.28	2 - 0.866
48"	13.78	4.133	59.48	56.00	44	1 1/2"-6unc	11.73	8	.87	45.66	44.35	10.87	11.26	34.01	37.05	5.91	2.76	76.77	2 - 1.102